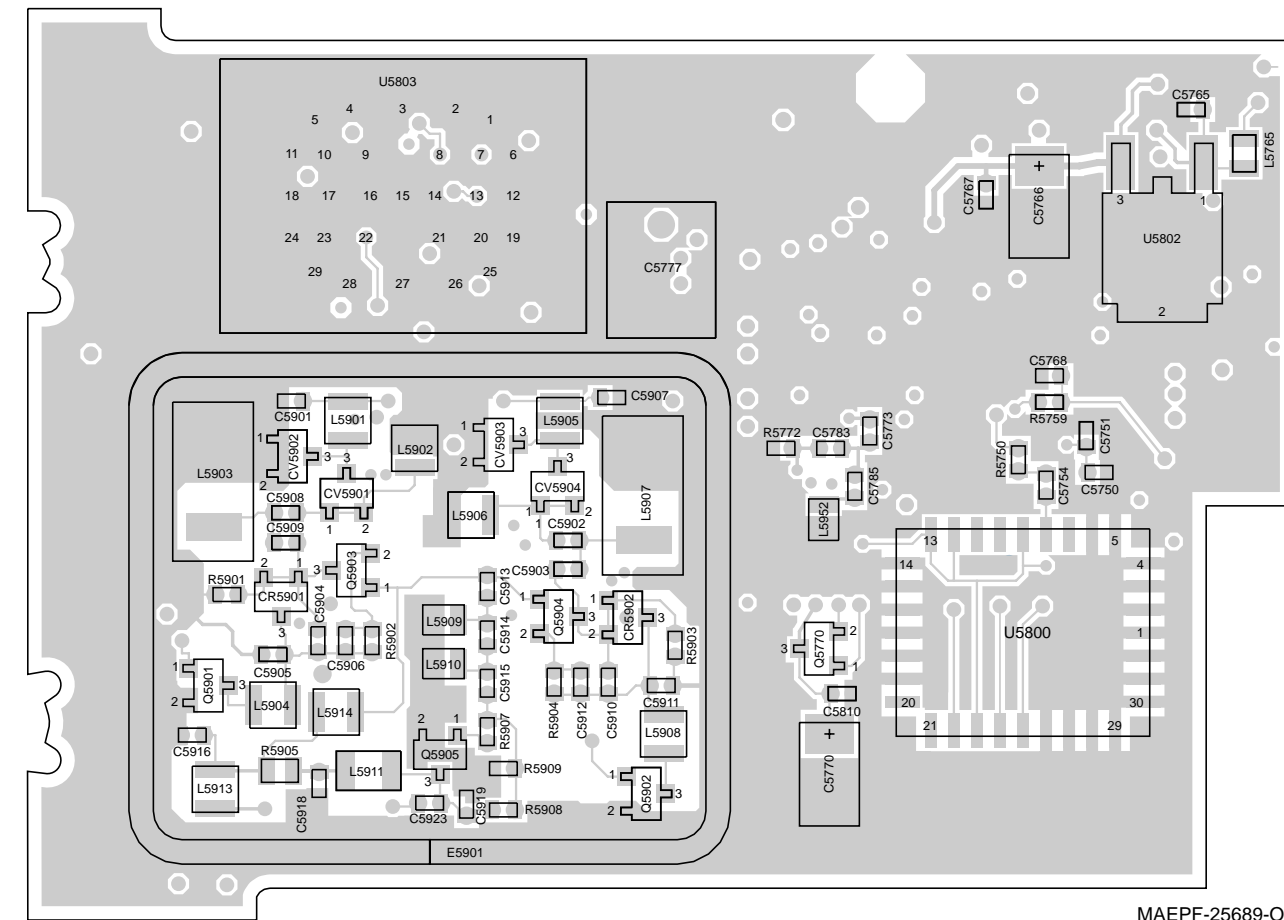
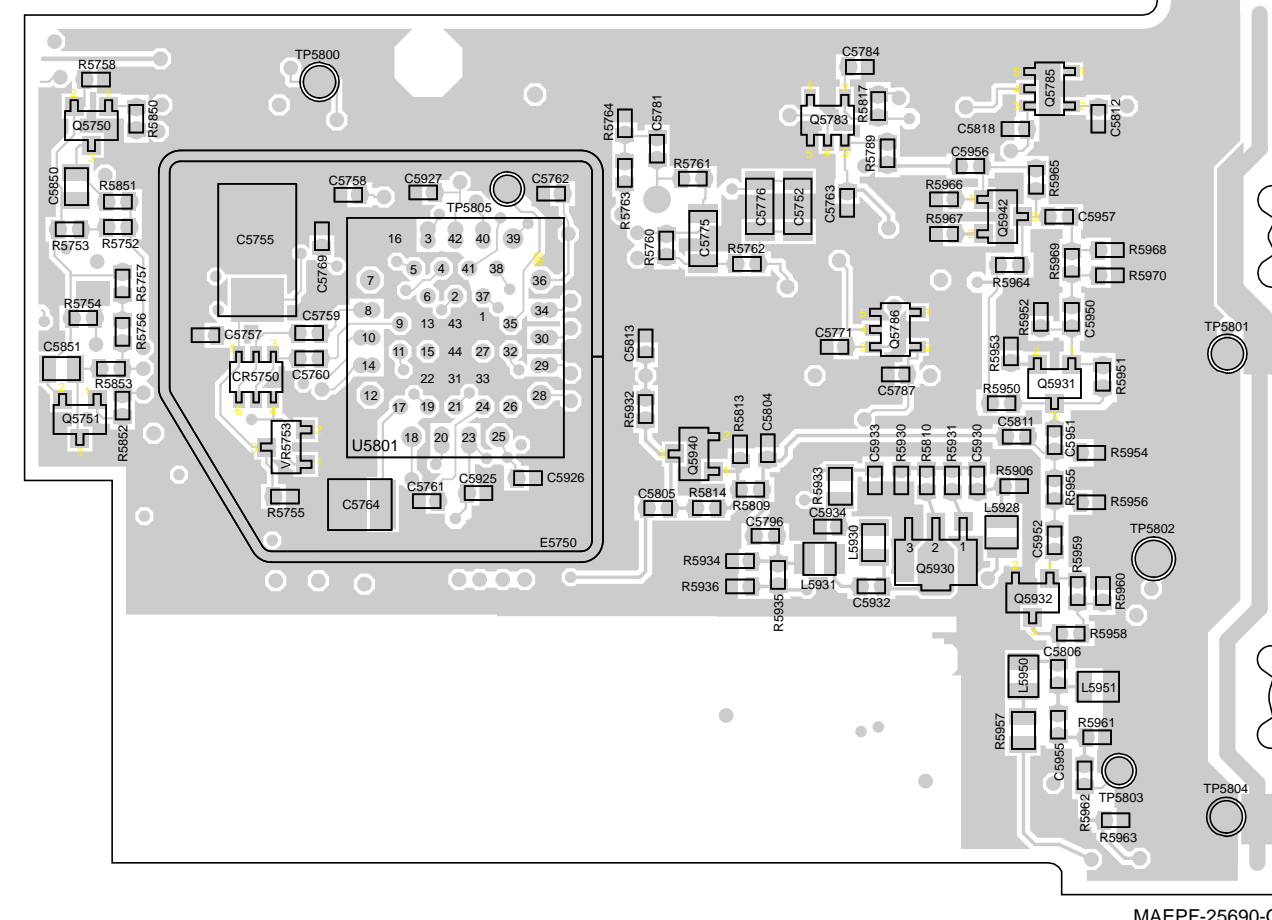


# SYNTHESIZER COMPONENT LOCATIONS



MAEPF-25689-0

HEAVY COMPONENTS SIDE



MAEPF-25690-0

LIGHT COMPONENTS SIDE

## SYNTHESIZER PARTS LIST

REFERENCE SYMBOL	MOTOROLA PART NO.	DESCRIPTION
<b>CAPACITORS:</b>		
C5751	2113932E07	0.022 uF
C5752	2109720D14	0.1 uF
C5754	2113932E07	0.022 uF
C5755	2311049A19	10 uF
C5757	2113932K15	0.1 uF
C5758	2113932K15	0.1 uF
C5759	2113932K15	0.1 uF
C5760	2113932K15	0.1 uF
C5761	2113930F51	100 pF
C5762	2113932E07	0.022 uF
C5763	2113931F49	0.01 uF
C5764	2311049J23	10 uF
C5765	2113932K15	0.1 uF
C5766	2311049J26	10 uF
C5767	2113932K15	0.1 uF
C5768	2113930F51	100 pF
C5770	2311049J26	10 uF
C5771	2113931F49	0.01 uF

REFERENCE SYMBOL	MOTOROLA PART NO.	DESCRIPTION
C5773	2113930F26	9.1 pF
C5775	2109720D14	0.1 uF
C5776	2109720D14	0.1 uF
C5777	0811051A19	1 uF
C5781	2113931F45	0.0068 uF
C5783	2113930F26	9.1 pF
C5784	2113931F49	0.01 uF
C5785	2113930F31	15 pF
C5787	2113931F49	0.01 uF
C5796	2113930F03	1 pF
C5804	2113930F20	5.1 pF
C5805	2113930F51	100 pF
C5806	2113930F51	100 pF
C5810	2113932K15	0.1 uF
C5811	2113930F10	2 pF
C5812	2113931F49	0.01 uF
C5813	2113931F49	0.01 uF
C5818	2113931F49	0.01 uF
C5850	2113743A23	0.22 uF
C5851	2113743A23	0.22 uF
C5901	2113740F67	470 pF

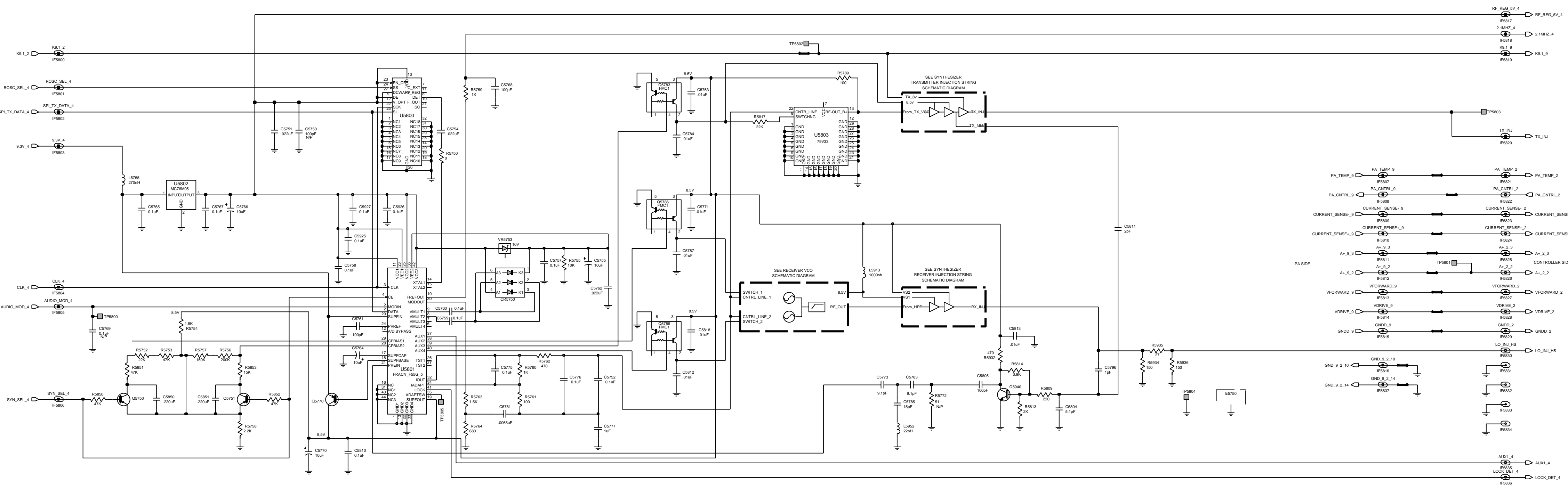
REFERENCE SYMBOL	MOTOROLA PART NO.	DESCRIPTION
C5902	2113930F32	16 pF
C5903	2113930F34	20 pF
C5904	2113930F22	6.2 pF
C5905	2113930F25	8.2 pF
C5906	2113740F67	470 pF
C5907	2113740F67	470 pF
C5908	2113740F30	13 pF
C5909	2113930F33	18 pF
C5910	2113930F23	6.8 pF
C5911	2113930F25	8.2 pF
C5912	2113740F67	470 pF
C5913	2113930F22	6.2 pF
C5914	2113930F14	3 pF
C5915	2113930F22	6.2 pF
C5916	2113740F67	470 pF
C5918	2113930F51	100 pF
C5919	2113930F03	1 pF
C5923	2113930F51	100 pF
C5925	2113932K15	0.1 uF
C5926	2113932K15	0.1 uF
C5927	2113932K15	0.1 uF
C5930	2113930F51	100 pF
C5932	2113930F51	100 pF
C5933	2113743E20	0.1 uF
C5934	2113930F51	100 pF
C5950	2113930F51	100 pF
C5951	2113931F49	0.01 uF
C5952	2113930F51	100 pF
C5955	2113930F21	5.6 pF
C5956	2113930F51	100 pF
C5957	2113931F49	0.01 uF
CR5750	4802233J09	Triple
CR5901	4805129M19	
CR5902	4805129M19	
CV5901	4805649Q13	Varactor
CV5902	4805649Q13	Varactor
CV5903	4805649Q13	Varactor
CV5904	4805649Q13	Varactor
VR5753	4813830A23	Zener, 10V
E5750	2602658J02	
E5901	2605782V04	
L5765	2462587Q40	270 nH
L5901	2405452C60	1000 nH
L5902	2405452C60	1000 nH
L5903	0105955T25	18 nH
L5904	2405452C60	1000 nH
L5905	2405452C60	1000 nH
L5906	2405452C60	1000 nH
L5907	0105955T25	18 nH
L5908	2405452C60	1000 nH
L5909	2462587V23	12 nH
L5910	2462587V23	12 nH
L5911	2462587T30	1 uH
L5913	2405452C60	1000 nH
L5914	2405452C60	1000 nH
L5928	2460591B04	11.03 nH
L5930	2462587Q44	560 H
L5931	2460591B04	11.03 nH
L5950	2462587V38	220 nH

REFERENCE SYMBOL	MOTOROLA PART NO.	DESCRIPTION
L5951	2462587V28	33nH
L5952	2462587V26	22nH
Q5750	4805128M16	PNP
Q5751	4805128M16	PNP
Q5770	4813824A21	PNP
Q5783	4805921T04	Switch
Q5785	4805921T04	Switch
Q5786	4805921T04	Switch
Q5901	4805218N58	Switch
Q5902	4805218N58	Switch
Q5903	4880141L06	MOS FET
Q5904	4880141L06	MOS FET
Q5905	4882022N70	NPN
Q5930	4882971R01	NPN
Q5931	4882022N70	NPN
Q5932	4813827A08	NPN
Q5940	4882022N70	NPN
Q5942	4882022N70	NPN
R5750	0662057B47	0
R5752	0662057A81	22K
R5753	0662057A89	47K
R5754	0662057A53	1.5K
R5755	0662057A73	10K
R5756	0662057B05	200K
R5757	0662057B02	150K
R5758	0662057A57	2.2K
R5759	0662057A49	1K
R5760	0662057A49	1K
R5761	0662057A25	100
R5762	0662057A41	470
R5763	0662057A53	1.5K
R5764	0662057A45	680
R5789	0662057A25	100
R5809	0662057A33	220
R5810	0662057A66	5.1K
R5813	0662057A56	2K
R5814	0662057A63	3.9K
R5817	0662057A81	22K
R5850	0662057A89	47K
R5851	0662057A89	47K
R5852	0662057A89	47K
R5853	0662057A77	15K
R5901	0662057A83	27K
R5902	0662057A23	82
R5903	0662057A83	27K
R5904	0662057A23	82
R5905	0660076A29	150
R5906	0662057A42	510
R5907	0662057A01	10
R5908	0662057A63	3.9K
R5909	0662057A49	1K
R5930	0662057A49	1K
R5931	0662057A01	10
R5932	0662057A41	470
R5933	0660076A21	68
R5934	0662057A29	150
R5935	0662057A11	27
R5936	0662057A29	150
R5950	0662057A29	150
R5951	0662057A65	4.7K

REFERENCE SYMBOL	MOTOROLA PART NO.	DESCRIPTION
R5952	0662057A49	1K
R5953	0662057A01	10
R5954	0662057A37	330
R5955	0662057A01	10
R5956	0662057A37	330
R5957	0660076A11	27
R5958	0662057A42	510
R5959	0662057A80	20K
R5960	0662057A75	12K
R5961	0662057A37	330
R5962	0662057A01	10
R5963	0662057A37	330
R5964	0662057A29	150
R5965	0662057A65	4.7K
R5966	0662057A49	1K
R5967	0662057A01	10
R5968	0662057A25	100
R5969	0662057A21	68
R5970	0662057A25	100
U5800	5105385Y39	<b>INTEGRATED CIRCUITS:</b> Oscillator, 16.8MHz Sinewave
U5801	5105457W73	Fractional-N Synthesizer
U5802	5113816A07	Regulator, 5V Positive
U5803	5105279V33	VCO, TX
	84D0511Y01	PRINTED CIRCUIT BOARD (For Reference Only): For Kits HUE4017A, HUE4025A

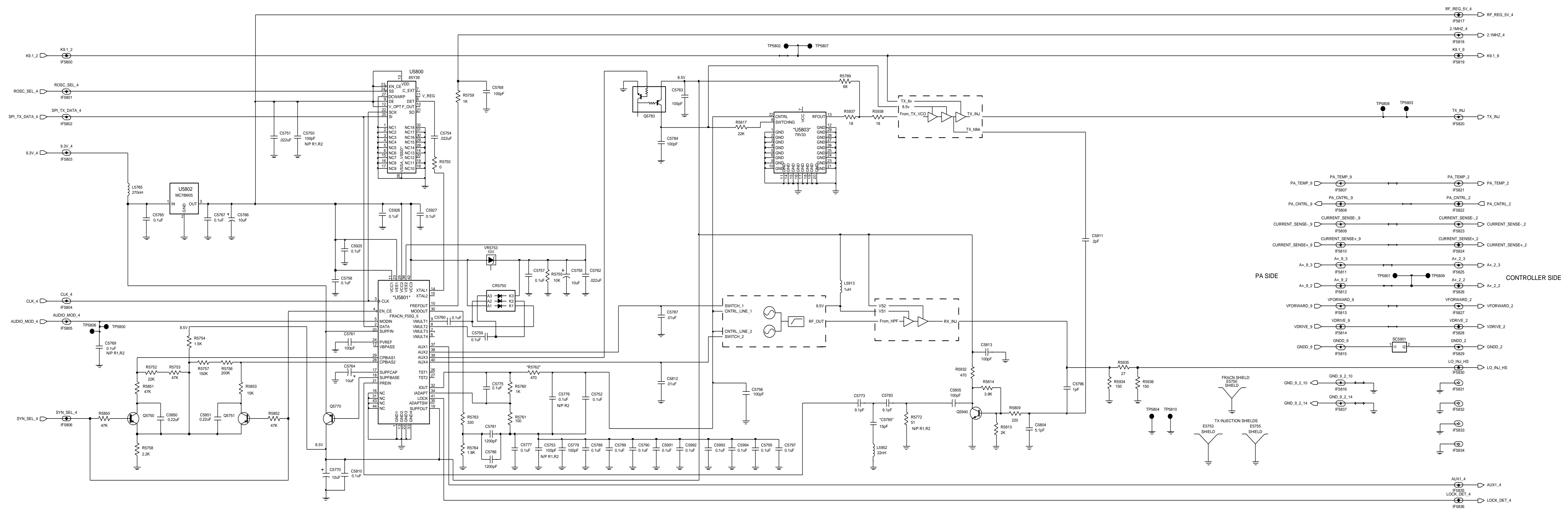
**NOTE:**

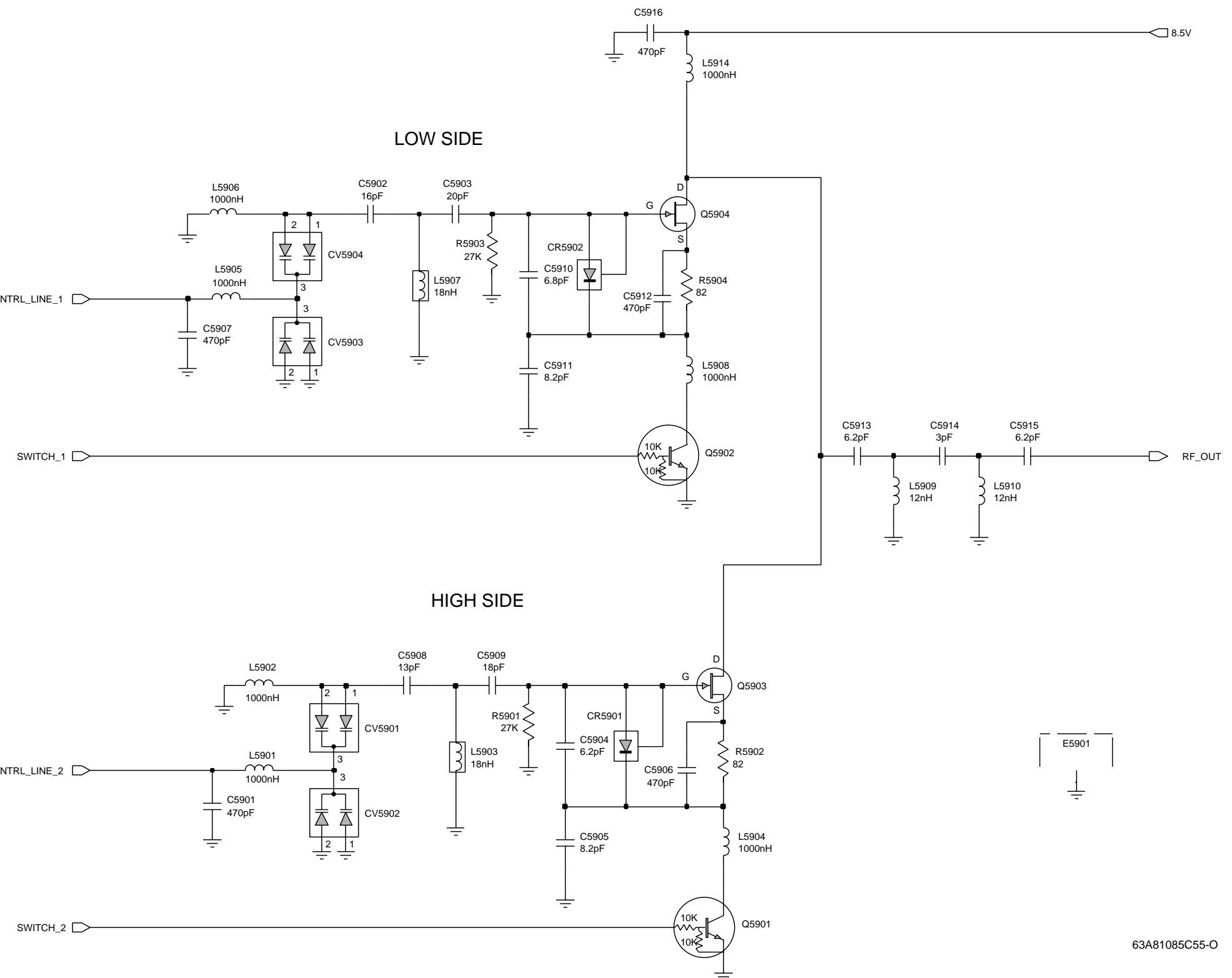
- All resistance values are in ohms unless indicated otherwise.
- Components shown in component location and schematic diagrams but not included in parts list are not placed.





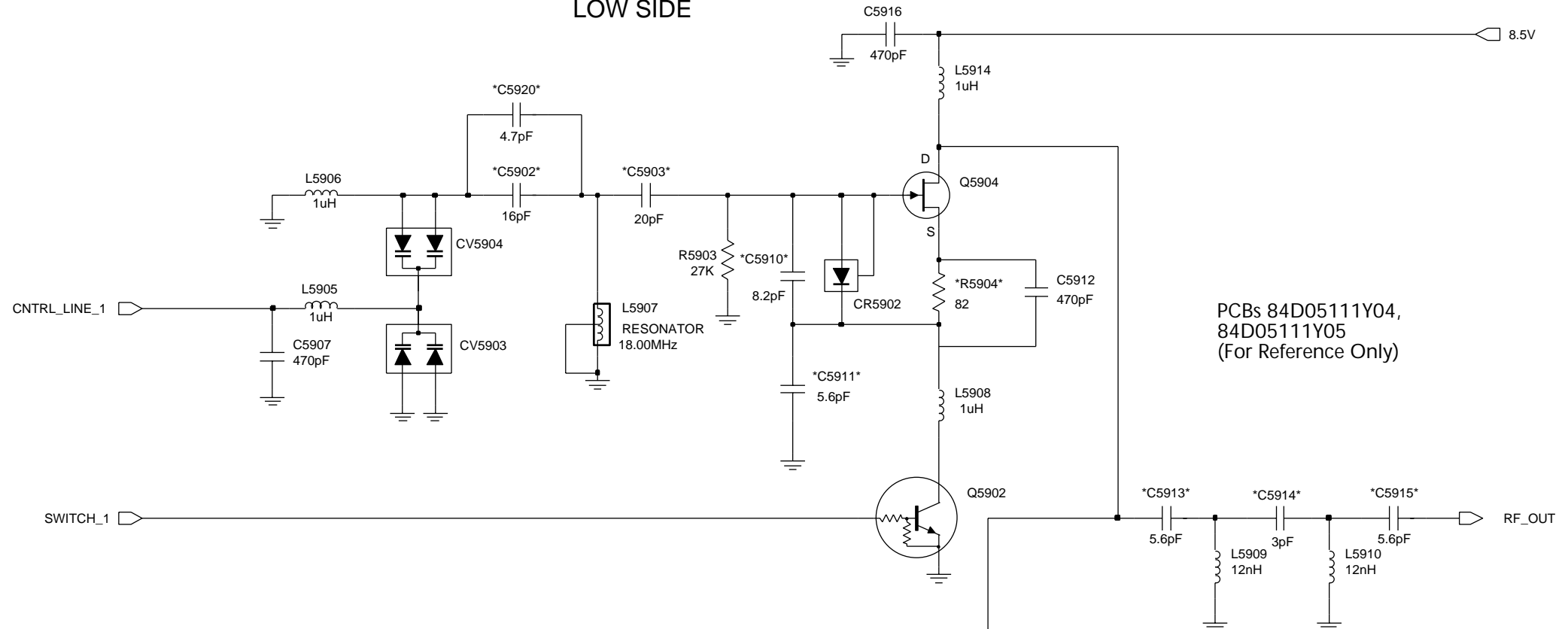






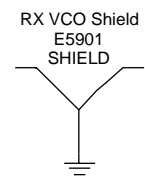
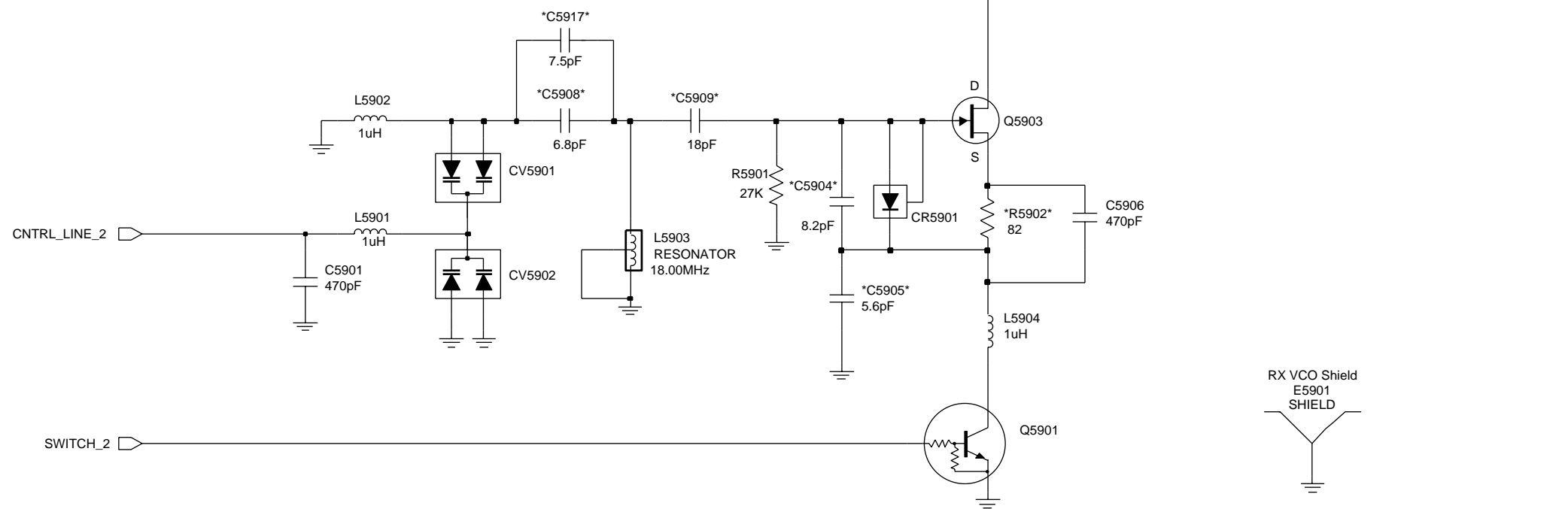
63A81085C55-O

LOW SIDE



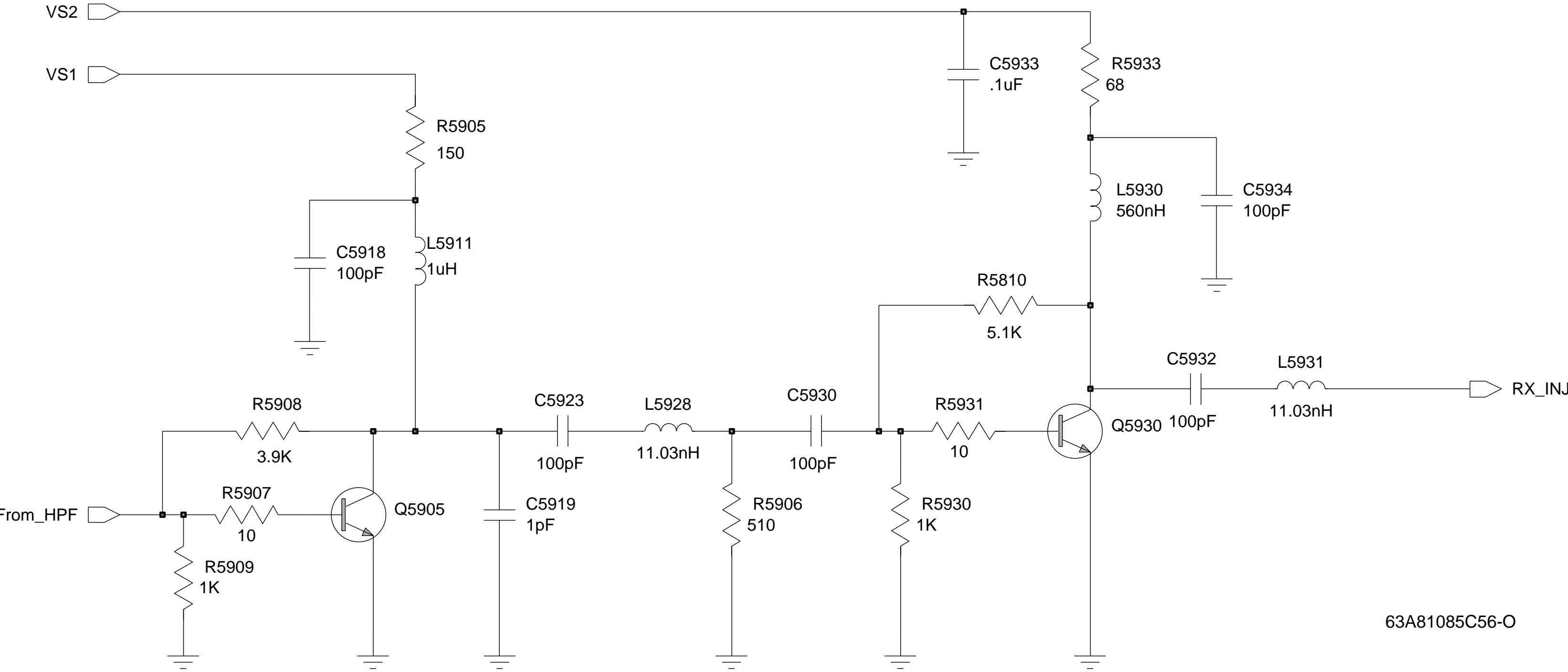
PCBs 84D05111Y04,  
84D05111Y05  
(For Reference Only)

HIGH SIDE

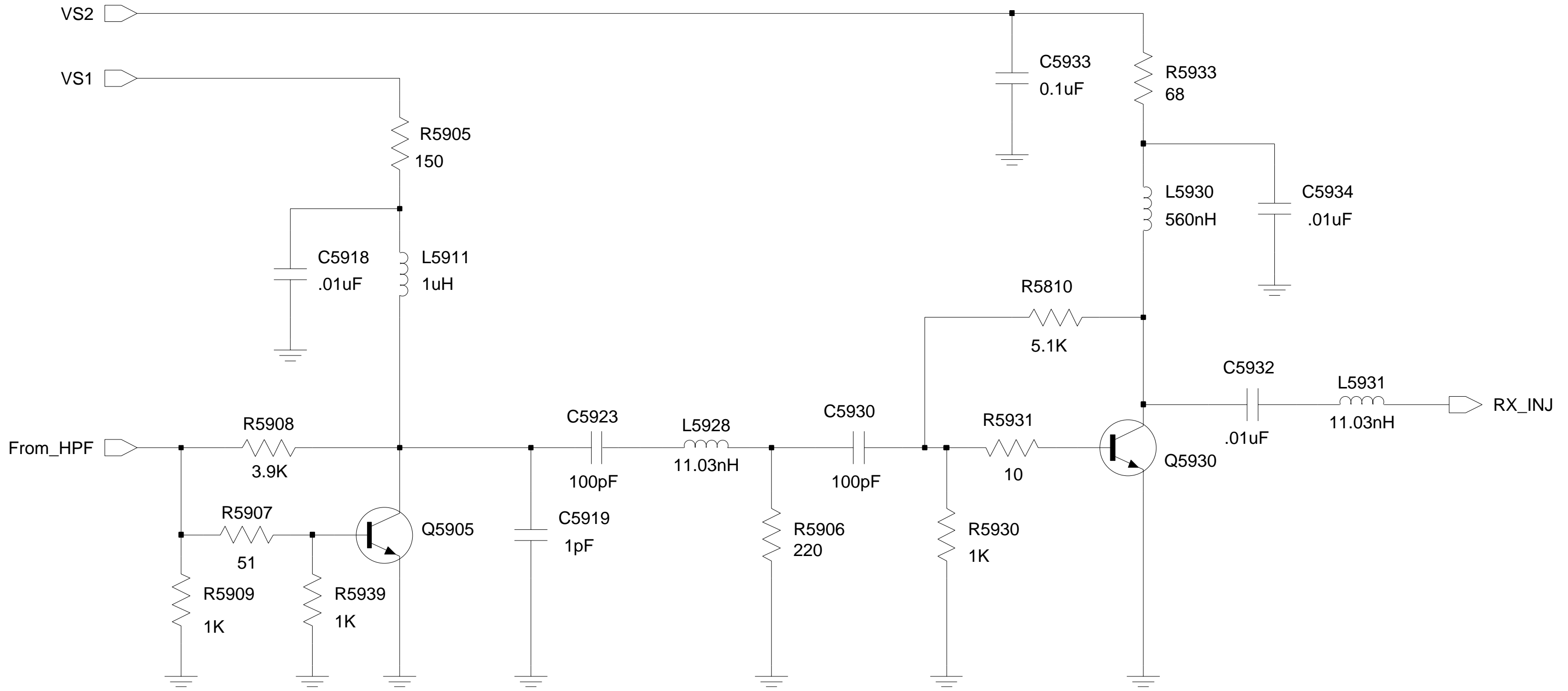


63A81091C05-O

Synthesizer Receiver VCO (Kits HUE4031B,  
HUE4032B) Schematic Diagram

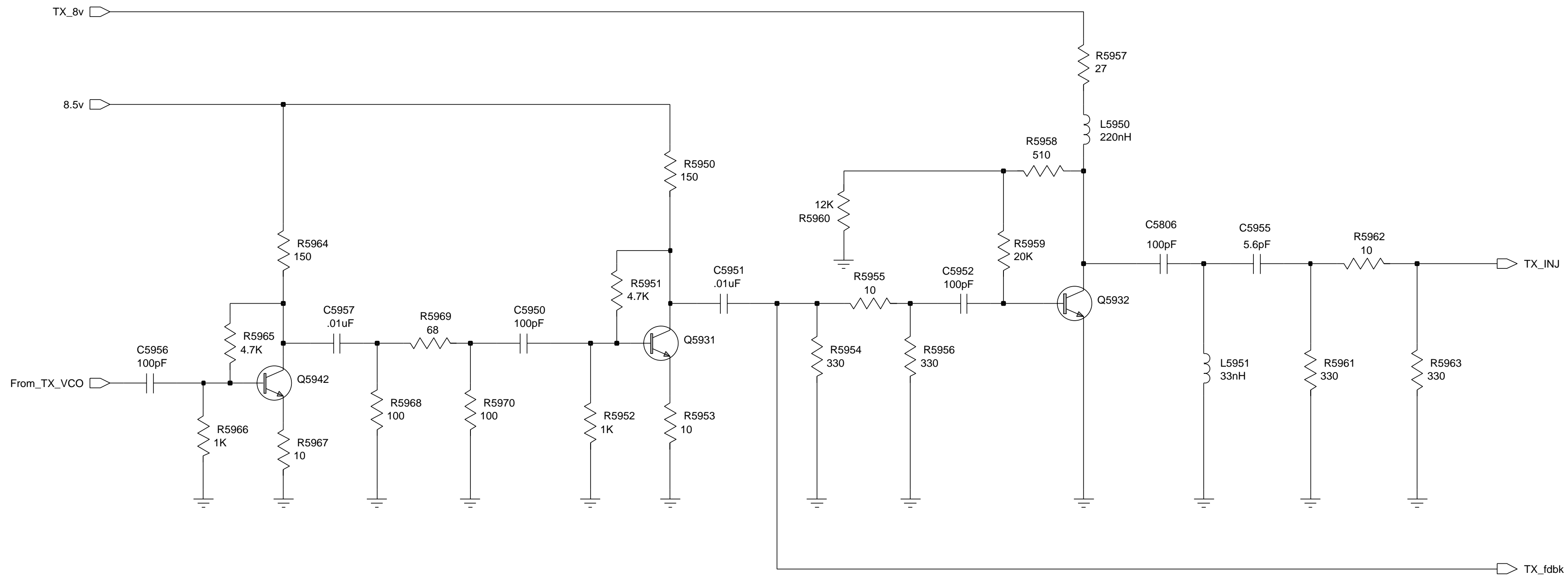


63A81085C56-O

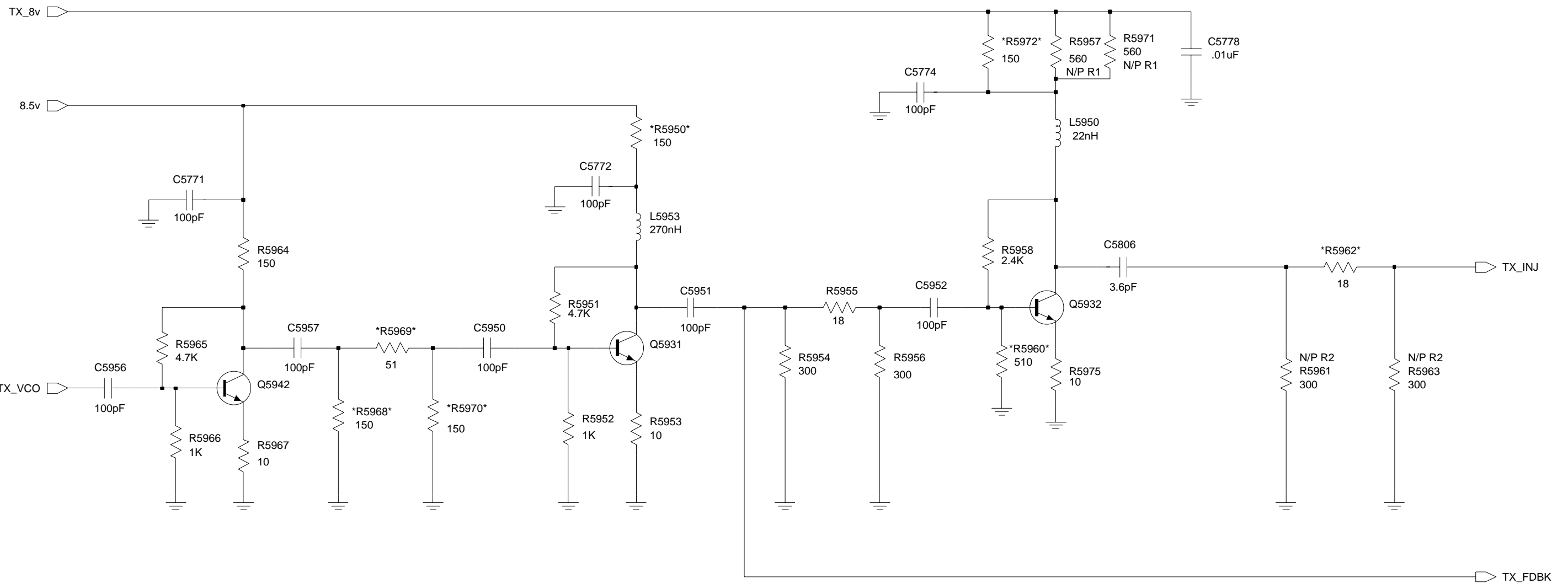


63A81091C06-O





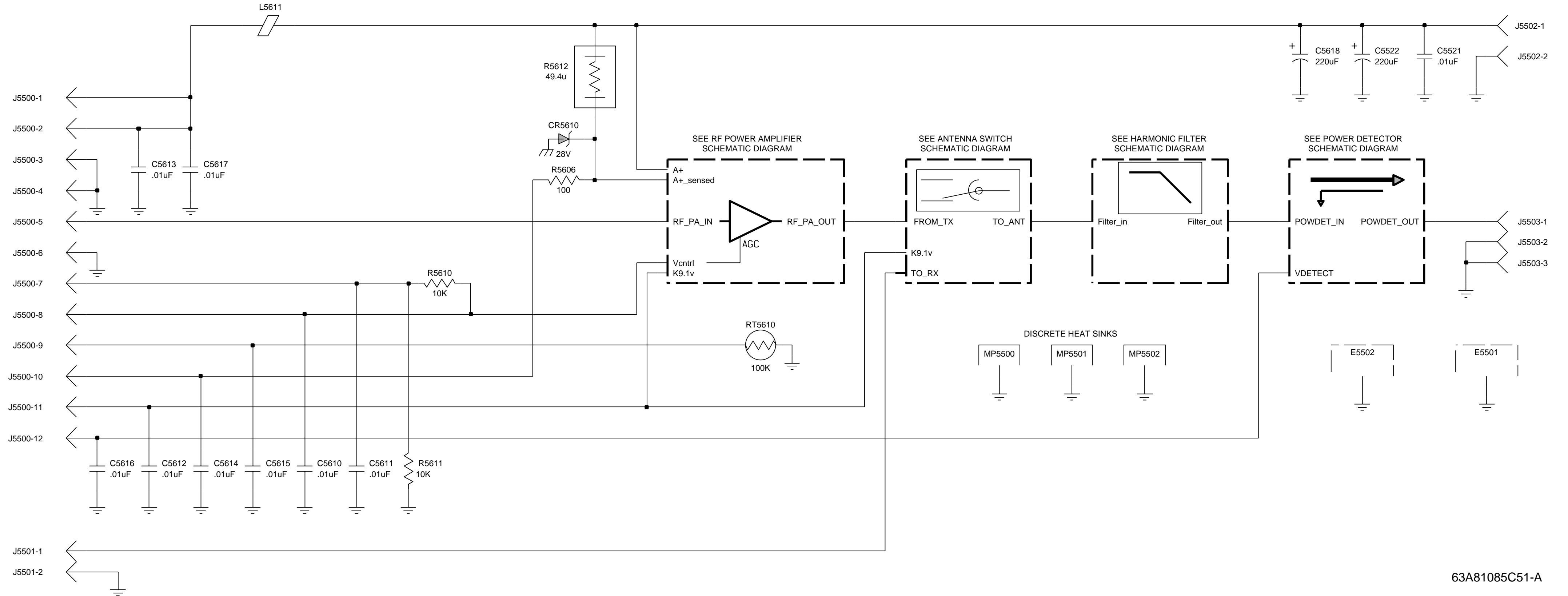
63A81085C57-O



63A81091C07-O

Synthesizer Transmitter Injection String  
(Kits HUE4031B, HUE4032B)  
Schematic Diagram



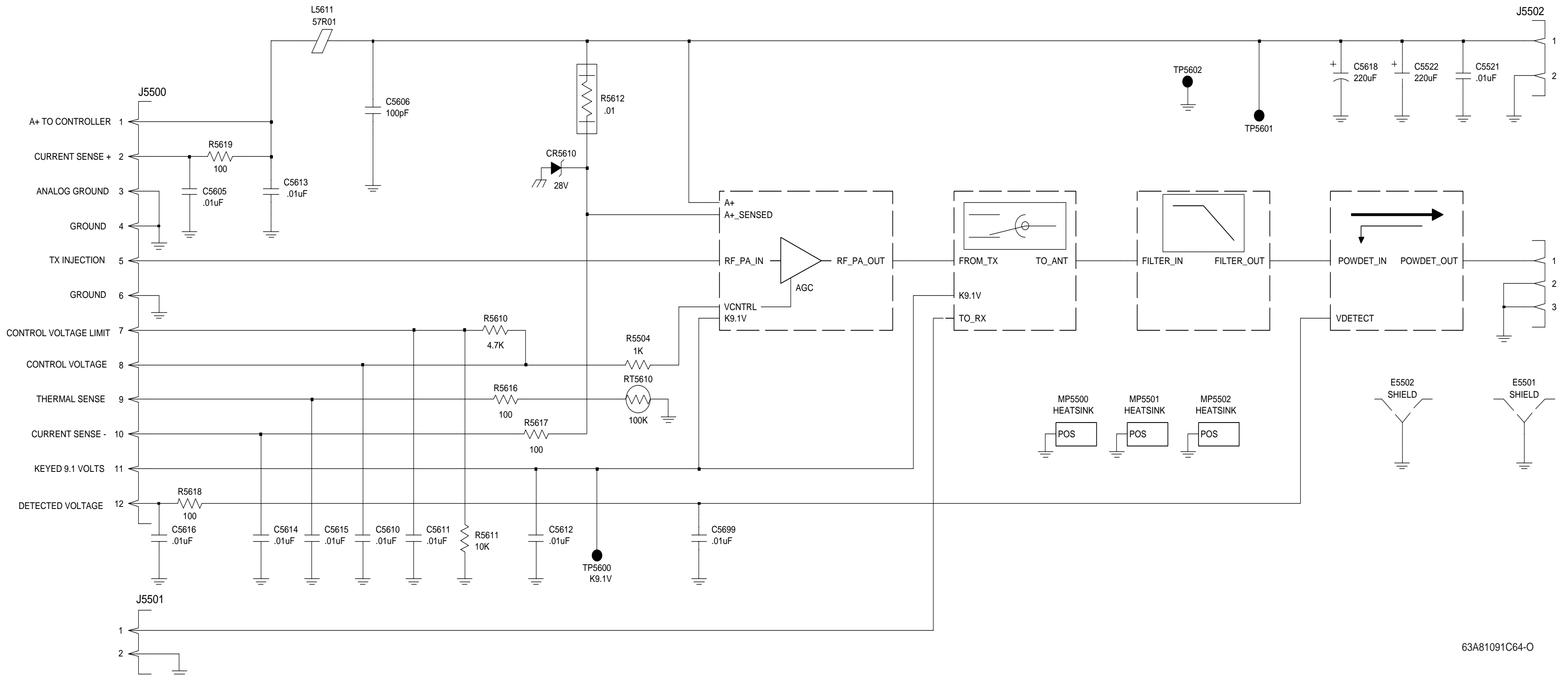


63A81085C51-A

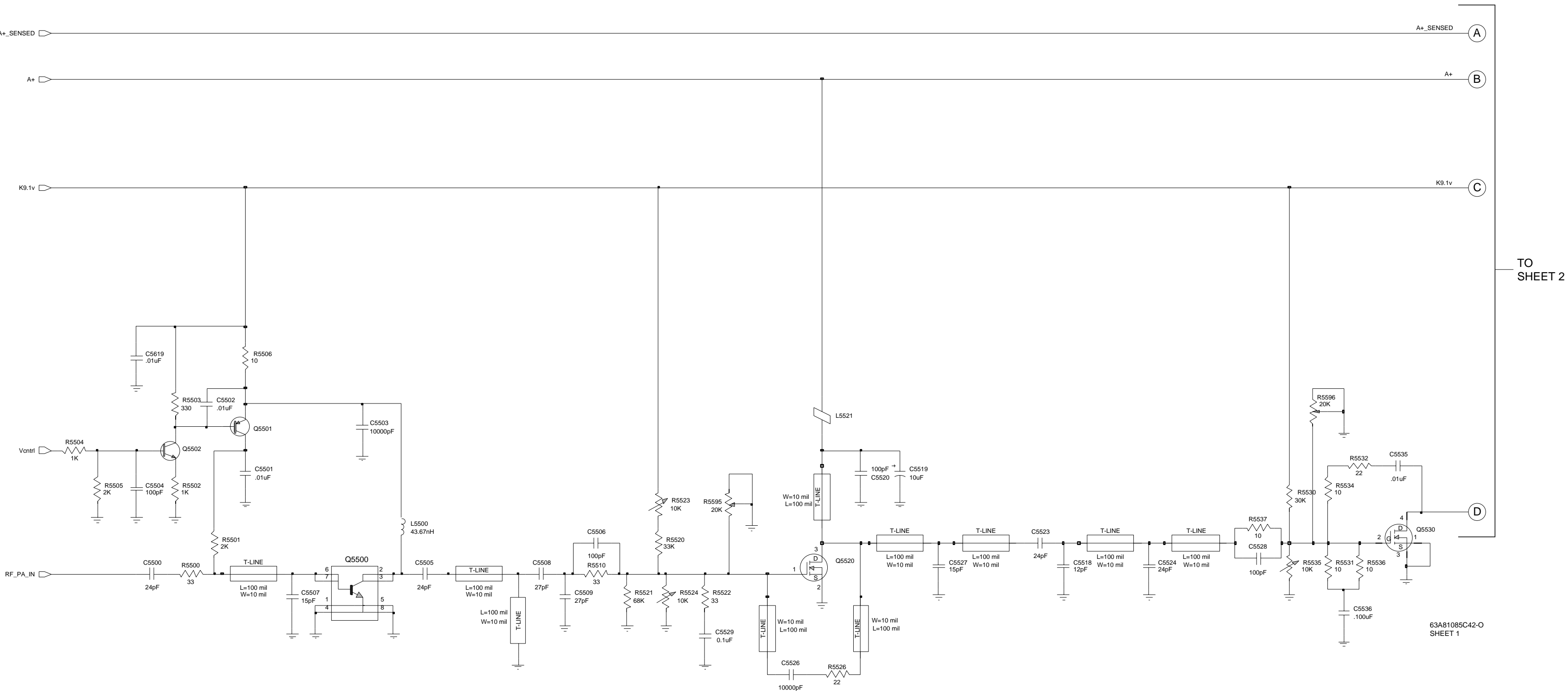






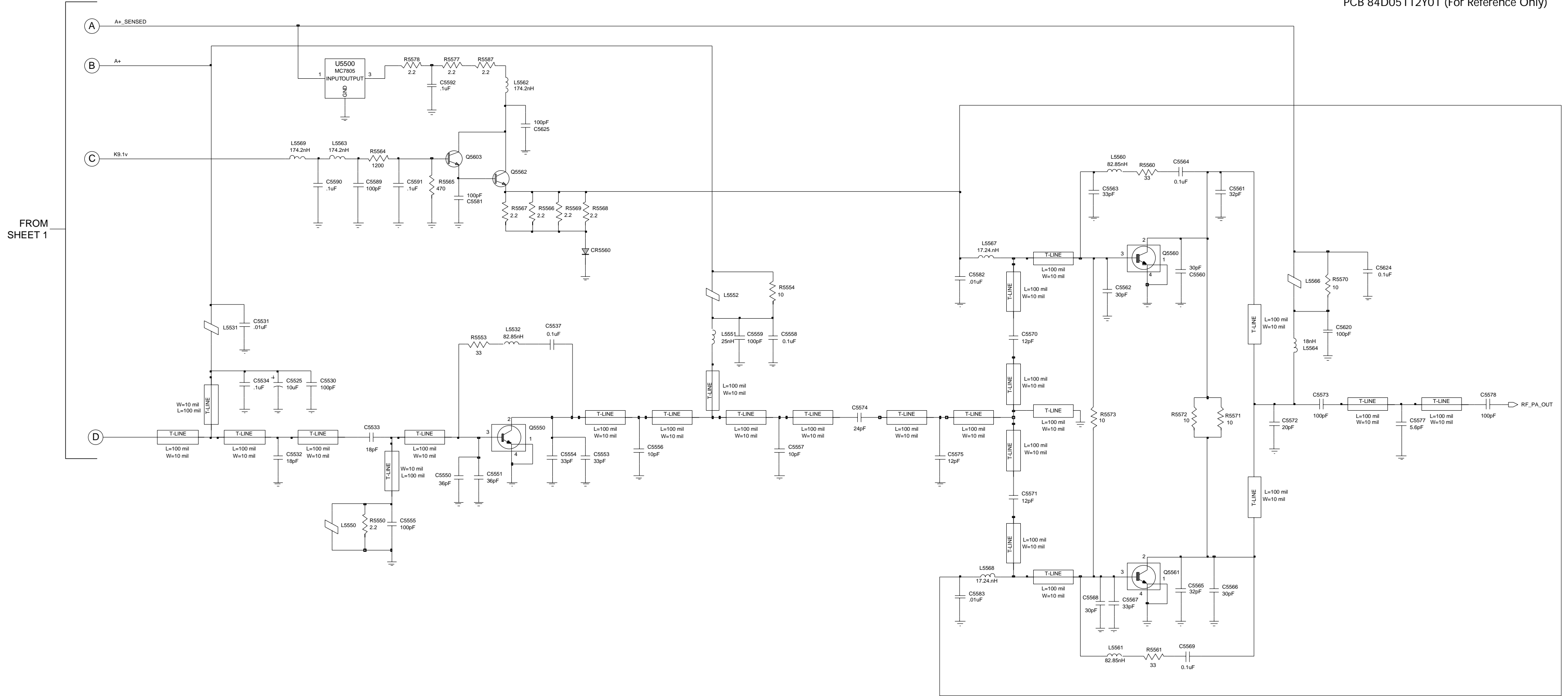


63A81091C64-O



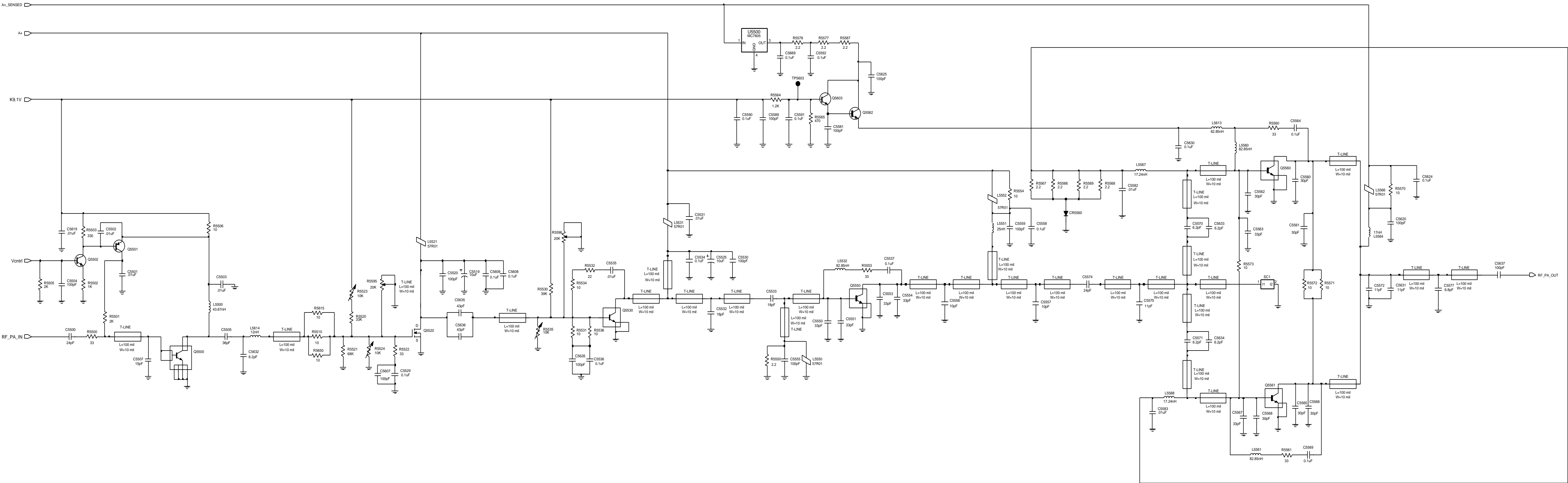
TO SHEET 2

63A81085C42-O SHEET 1



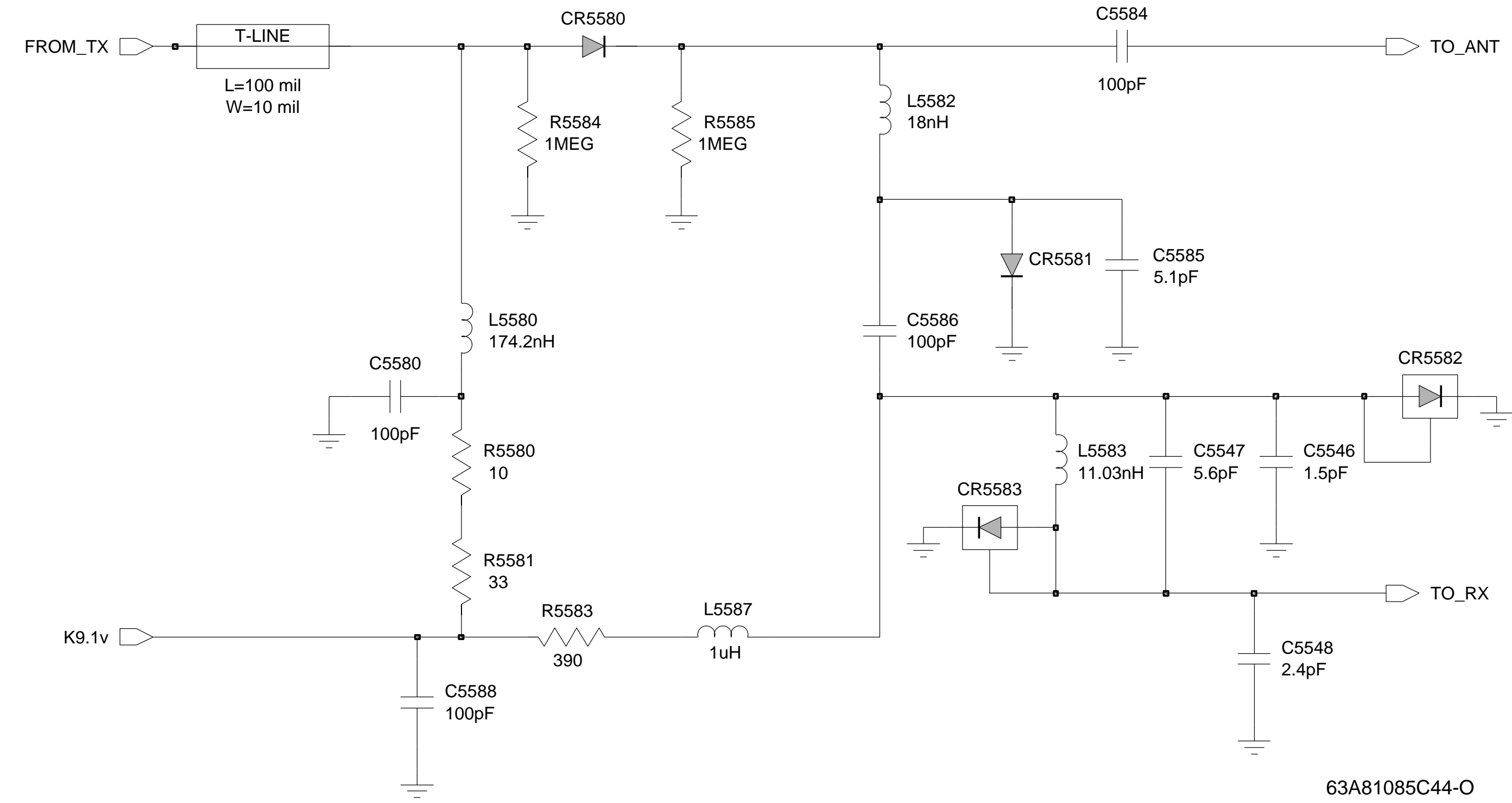
FROM SHEET 1

# NOTES

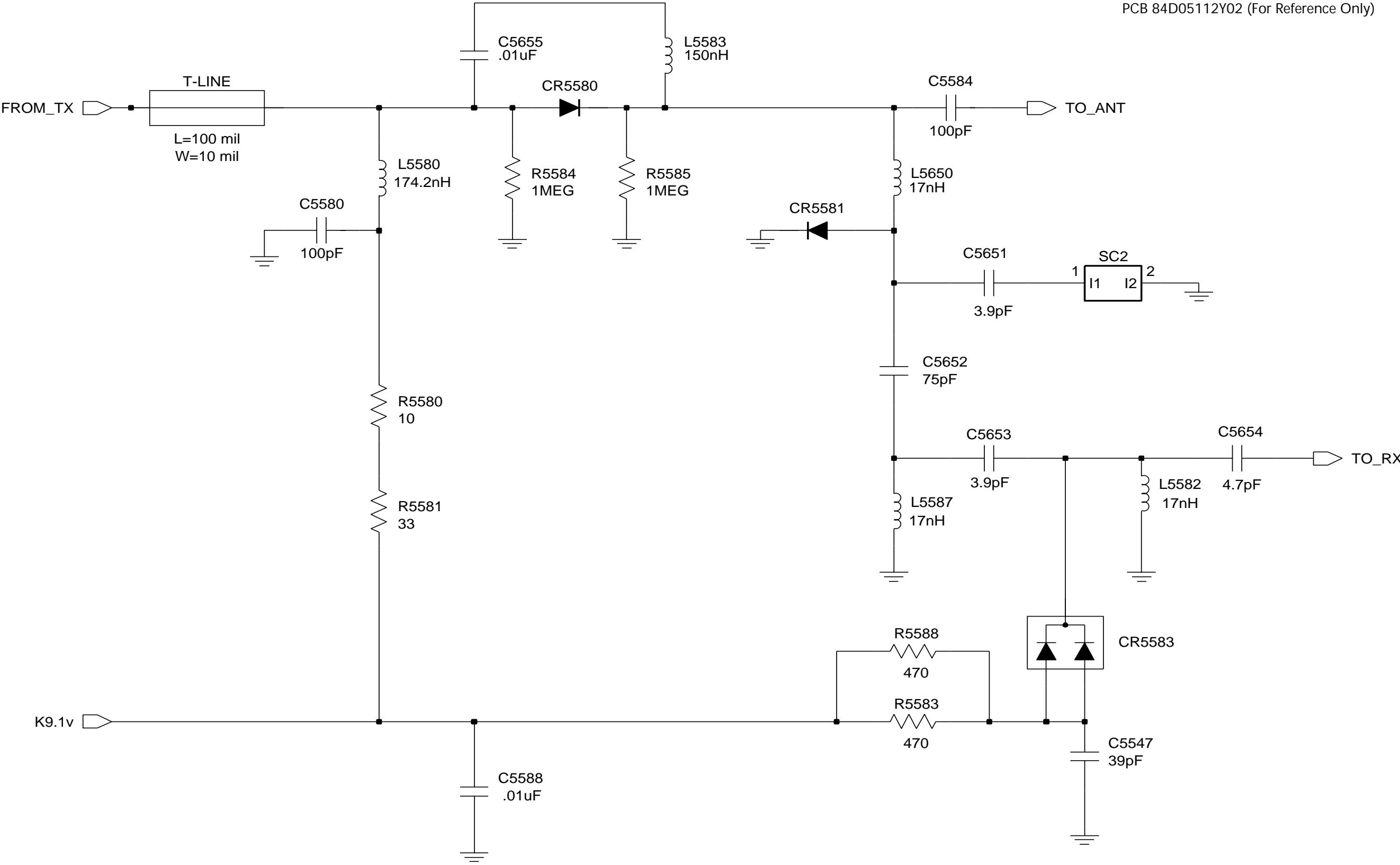


63A81091C45-0

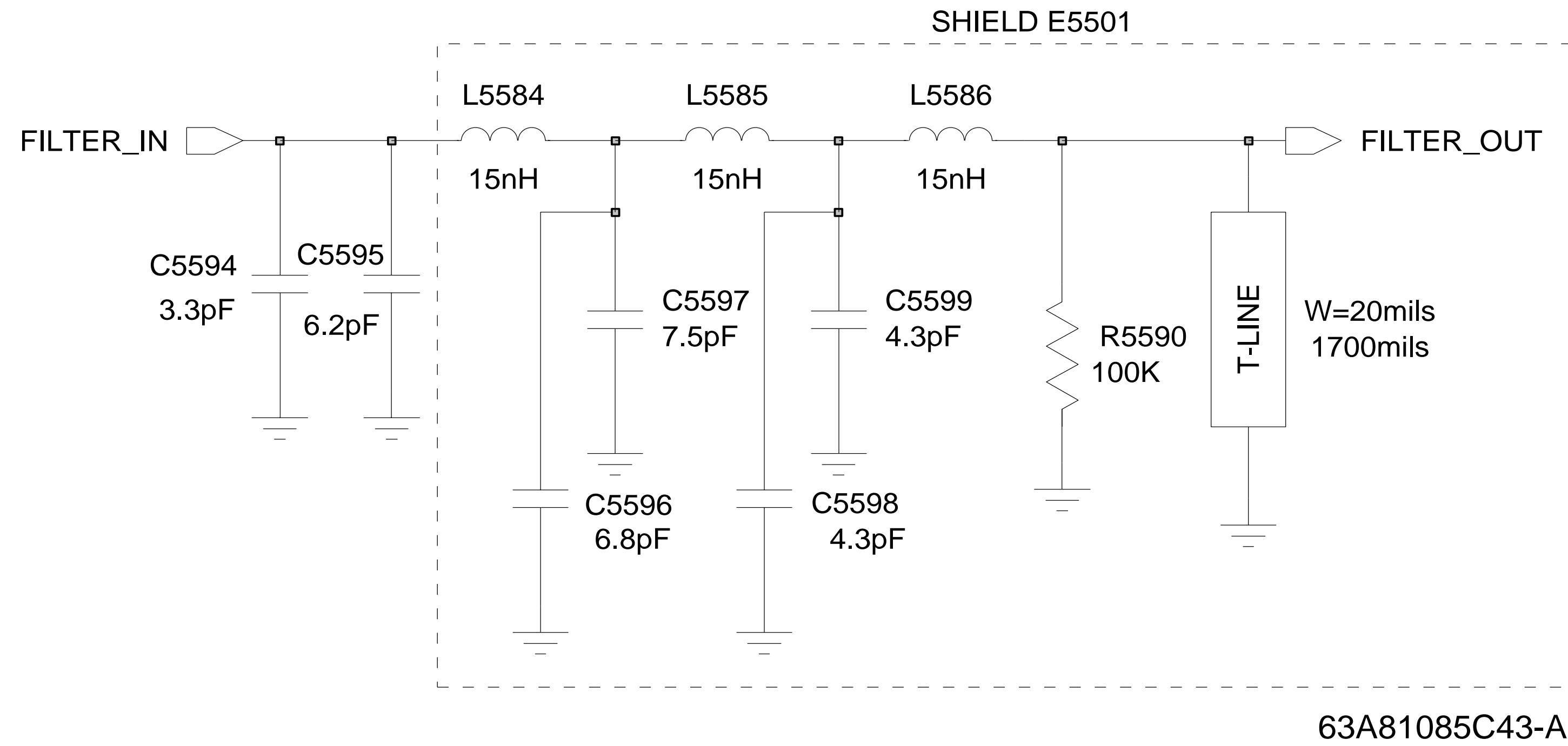


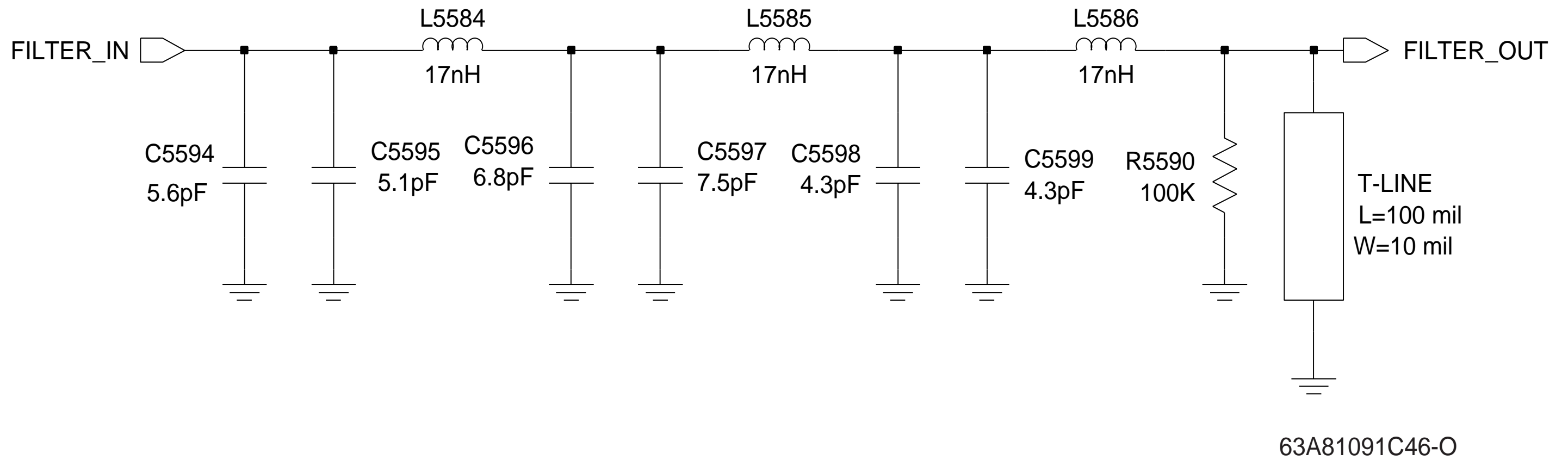


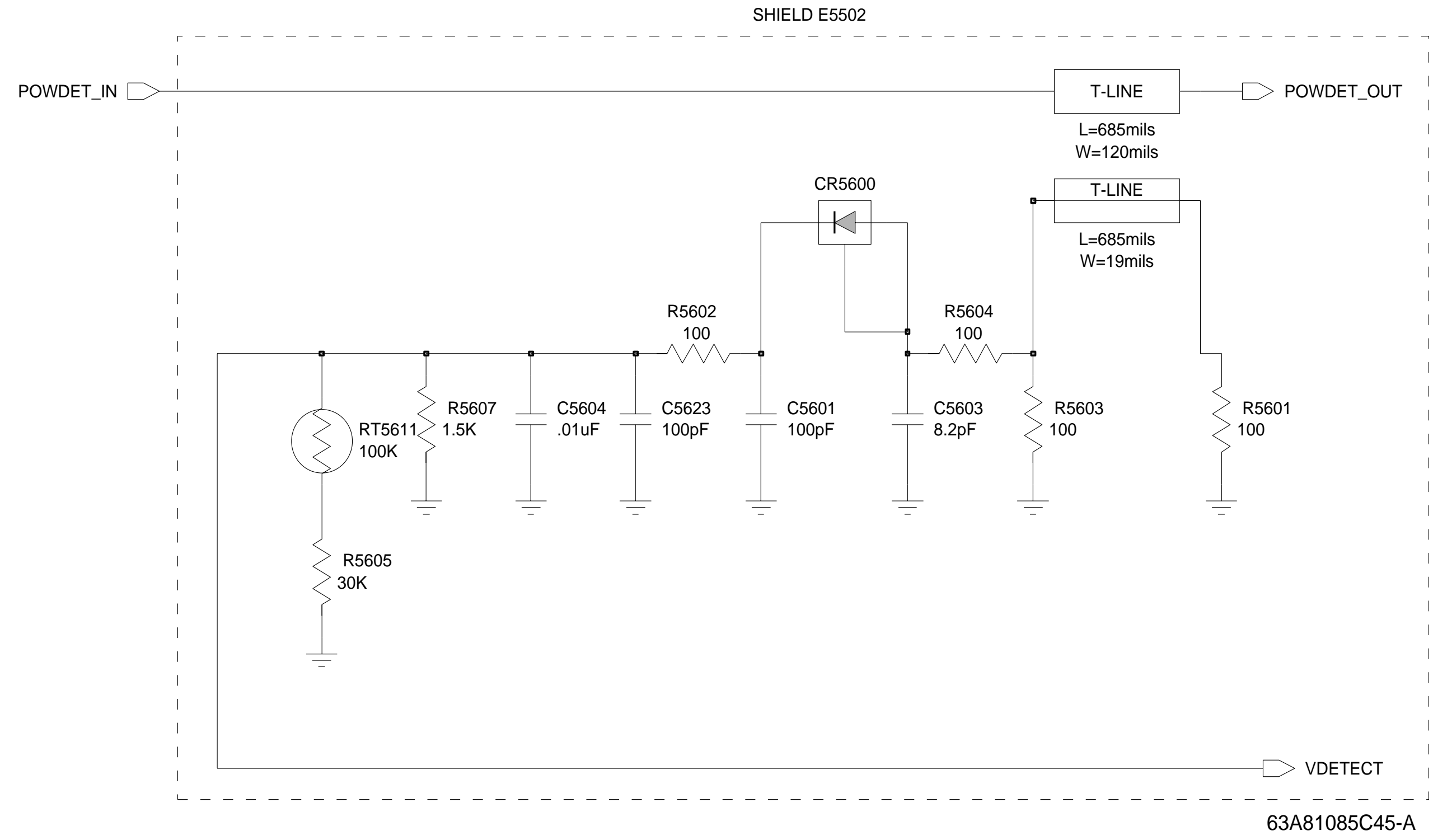
63A81085C44-O



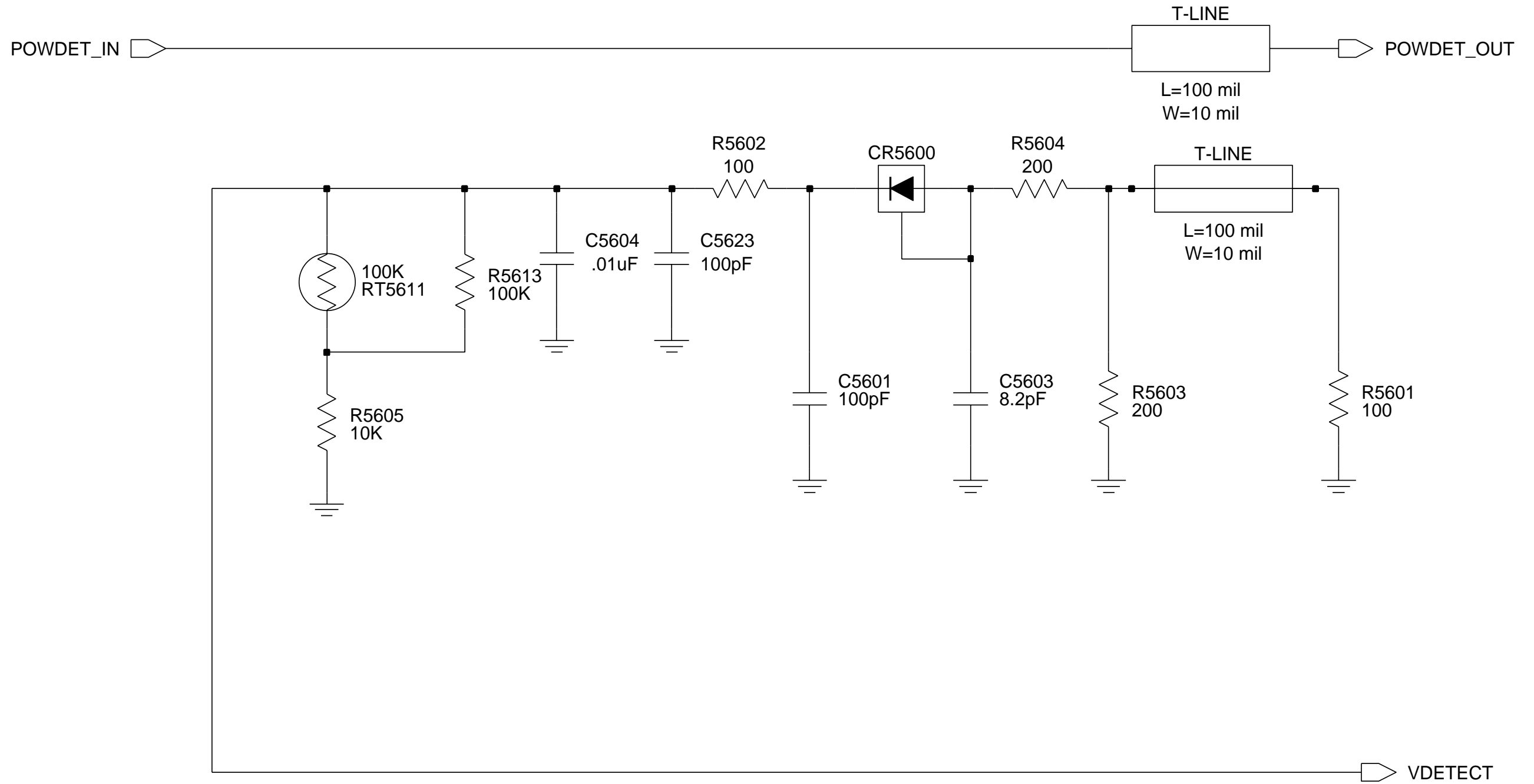
63A81091C47-O





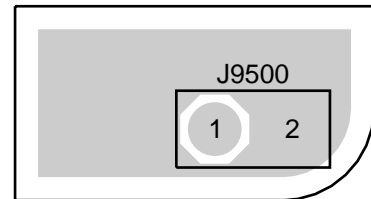






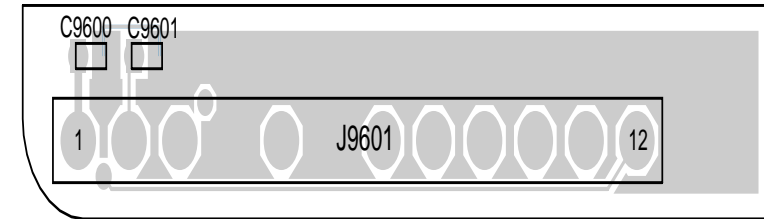
63A81091C48-O

## 2-PIN PA INTERCONNECT COMPONENT LOCATIONS



MAEPF-25686-O

## 12-PIN PA INTERCONNECT COMPONENT LOCATIONS

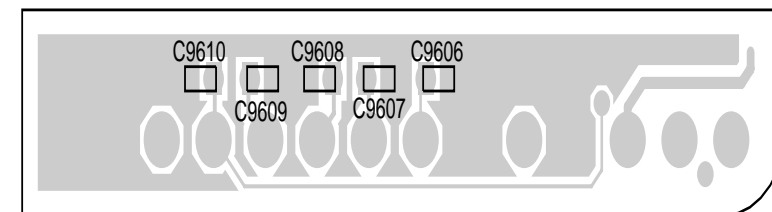


MAEPF-25687-O

HEAVY COMPONENTS SIDE

### 2-PIN AND 12-PIN PA INTERCONNECTS PARTS LIST

REFERENCE SYMBOL	MOTOROLA PART NO.	DESCRIPTION
C9600	2113931F49	<b>CAPACITORS:</b> 10,000 pF
C9601	2113931F49	10,000 pF
C9606	2113931F49	10,000 pF
C9607	2113931F49	10,000 pF
C9608	2113931F49	10,000 pF
C9609	2113931F49	10,000 pF
C9610	2113931F49	10,000 pF
J9500	0980008R02	<b>CONNECTORS:</b> 2 Pins
J9601	0980008R12	12 Pins
	84D05112Y01, 84D05112Y02	<b>PRINTED CIRCUIT BOARDS (For Reference Only):</b> For Kits HUE4018A, HUE4030A, HUE 4030B

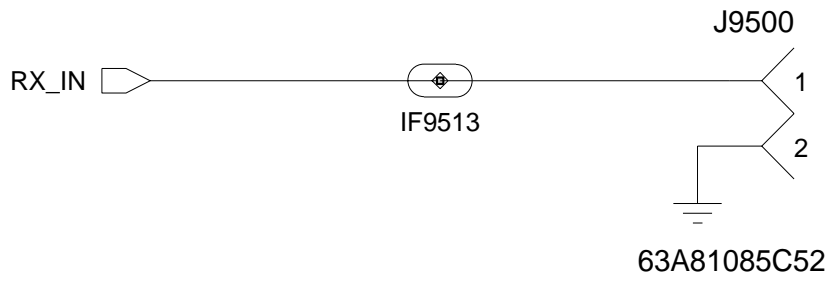


MAEPF-25688-O

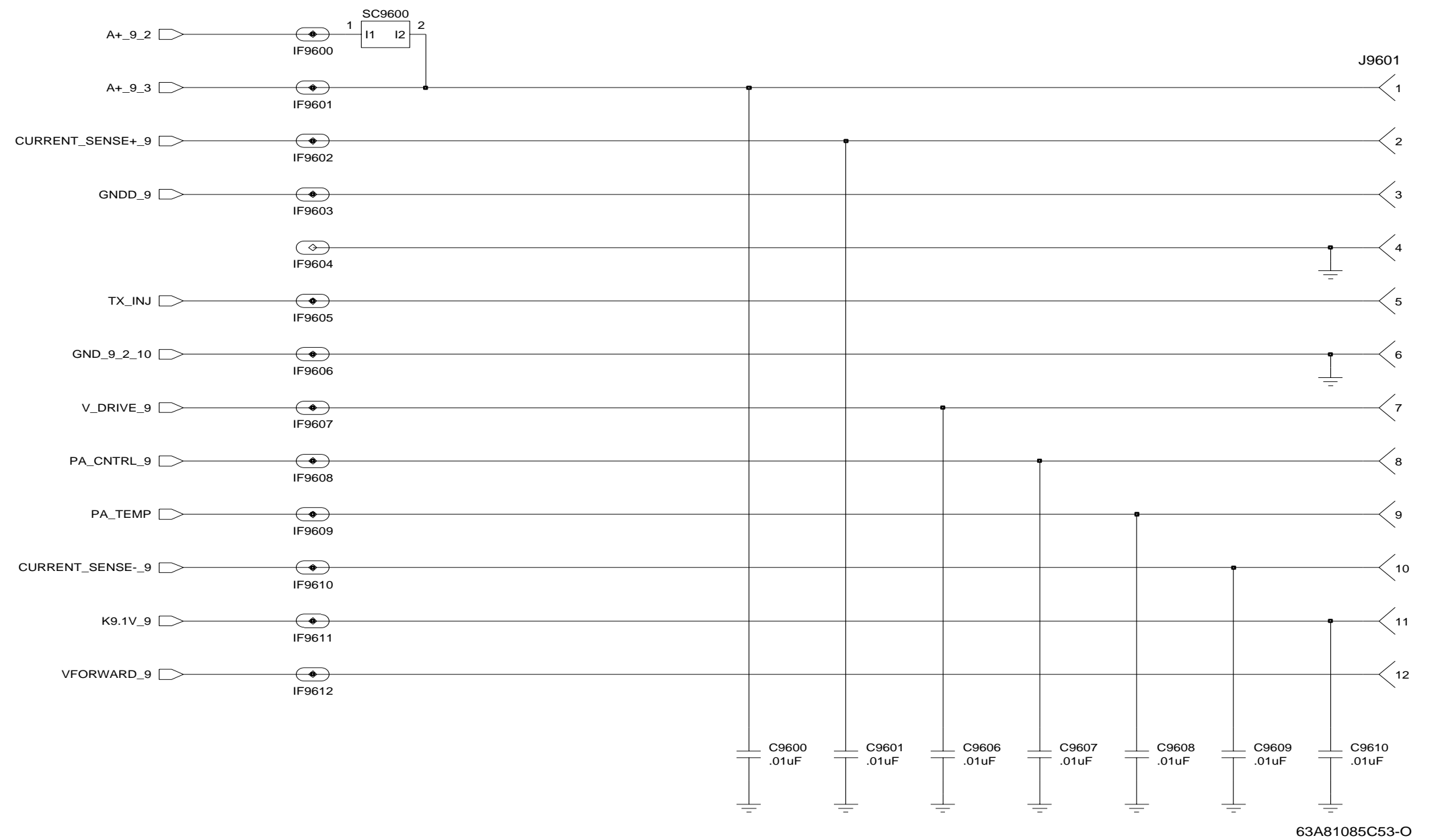
LIGHT COMPONENTS SIDE

## 2-PIN PA INTERCONNECT

## 12-PIN PA INTERCONNECT



PCBs 84D05112Y01, 84D05112Y02 (For Reference Only)



# NOTES

Table 1: Schematic Diagram Interconnection List

From/To			From/To		
Signal Name	Schematic Diagram Title	Publication No.	Signal Name	Schematic Diagram Title	Publication No.
<b>RECEIVER FRONT END</b>					
RF_REG_12V_5	Receiver Front End	68P81080C42-A	RF_REG_12V_5	Receiver IF	68P81080C42-A
RF_REG_5V_5_UHF	Receiver Front End	68P81080C42-A	RF_REG_5V_4	Receiver IF	68P81080C42-A
			RF_REG_5V_4_UHF	Receiver IF	68P81080C42-A
			RF_REG_5V_5	Receiver IF	68P81080C42-A
			RF_REG_5V_3	Receiver IF	68P81080C42-A
AUX1_6	Receiver Front End	68P81080C42-A	AUX1_4	Synthesizer	68P81080C42-A
RX_IN	Receiver Front End	68P81080C42-A	RX_IN	Power Amplifier	68P81080C42-A
LO_INJ_HS	Receiver Front End	68P81080C42-A	LO_INJ_HS	Synthesizer	68P81080C42-A
IF_IN	Receiver Front End	68P81080C42-A	IF_IN	Receiver IF	68P81080C42-A
<b>RECEIVER INTERMEDIATE FREQUENCY (IF)</b>					
RF_REG_5V_4	Receiver IF	68P81080C42-A	RF_REG_5V_5	Receiver IF	68P81080C42-A
			RF_REG_5V_3	Receiver IF	68P81080C42-A
			RF_REG_5V_5_UHF	Receiver IF	68P81080C42-A
			RF_REG_5V_4	Synthesizer	68P81080C42-A
			RF_REG_5V_6	Receiver Back End	68P81080C42-A
9.3V_1	Receiver IF	68P81080C42-A	9.3V_4	Receiver IF	68P81080C42-A



Table 1: Schematic Diagram Interconnection List

From/To			From/To		
Signal Name	Schematic Diagram Title	Publication No.	Signal Name	Schematic Diagram Title	Publication No.
			9.3V_3	Receiver IF	68P81080C42-A
			9.3V_7_2_26	LPAUD	68P81080C42-A
			9.3V_7_2_30	LPAUD	68P81080C42-A
			9.3V_4	Synthesizer	68P81080C42-A
RSSI_1	Receiver IF	68P81080C42-A	RSSI_3	Receiver Back End	68P81080C42-A
RX_CNTRL1	Receiver IF	68P81080C42-A			
2.1MHZ_4		68P81080C42-A	2.1MHZ_3	Receiver IF	68P81080C42-A
			2.1MHZ_1	Receiver IF	68P81080C42-A
			2.1MHZ_1	Receiver Back End	
LOCK_DET_1	Receiver IF	68P81080C42-A	LOCK_DET_4	Receiver IF	68P81080C42-A
RF_REG_12V_5	Receiver IF	68P81080C42-A			
Receiver Back End_SEL_1	Receiver IF	68P81080C42-A	ZIF_SEL_3	Receiver IF	68P81080C42-A
			ZIF_SEL_3	Receiver Back End	68P81080C42-A
CLK_1	Receiver IF	68P81080C42-A	CLK_3	Receiver IF	68P81080C42-A
			CLK_4	Receiver IF	68P81080C42-A
			CLK_3	Receiver Back End	68P81080C42-A
			CLK_4	Synthesizer	68P81080C42-A
IF_OUT	Receiver Back End	68P81080C42-A	IF_OUT	Receiver Back End	68P81080C42-A
SPI_TX_DATA_1	Receiver IF	68P81080C42-A	SPI_TX_DATA_3	Receiver IF	68P81080C42-A
			SPI_TX_DATA_4	Receiver IF	68P81080C42-A
			SPI_TX_DATA_4	Synthesizer	68P81080C42-A

Table 1: Schematic Diagram Interconnection List

From/To			From/To		
Signal Name	Schematic Diagram Title	Publication No.	Signal Name	Schematic Diagram Title	Publication No.
			SPI_TX_DATA_3	Receiver Back End	68P81080C42-A
SYN_SEL_1	Receiver IF	68P81080C42-A	SYN_SEL_4	Receiver IF	68P81080C42-A
			SYN_SEL_4	Synthesizer	68P81080C42-A
AUDIO_MOD_1	Receiver IF	68P81080C42-A	AUD_MODE_4	Receiver IF	68P81080C42-A
			AUD_MODE_4	Synthesizer	68P81080C42-A
SQUELCH_3	Receiver IF	68P81080C42-A68P81080C42-A	SQUELCH_1	Receiver IF	68P81080C42-A
			SQUELCH_3	Receiver Back End	68P81080C42-A
ROSC_SEL_1	Receiver IF	68P81080C42-A	ROSC_SEL_4	Receiver IF	68P81080C42-A
			ROSC_SEL_4	Synthesizer	68P81080C42-A
DISC_1	Receiver IF	68P81080C42-A	DISC_3	Receiver IF	68P81080C42-A
			DISC_3	Receiver Back End	68P81080C42-A
IF_IN	Receiver IF	68P81080C42-A	IF_IN	Receiver Front End	68P81080C42-A
SW_B+or_RX_CNTRL_1	Receiver IF	68P81080C42-A			
<b>RECEIVER BACK END/ZERO INTERMEDIATE FREQUENCY (ZIF)</b>					
RF_REG_5V_3	Receiver Back End	68P81080C42-A	RF_REG_5V_4	Receiver IF	68P81080C42-A
			RF_REG_5V_5	Receiver IF	68P81080C42-A
			RF_REG_5V_3	Receiver IF	68P81080C42-A
			RF_REG_5V_5_UHF	Receiver IF	68P81080C42-A
			RF_REG_5V_5_UHF	Receiver Front End	68P81080C42-A
			RF_REG_5V_3	Receiver Back End	68P81080C42-A

Table 1: Schematic Diagram Interconnection List

From/To			From/To		
Signal Name	Schematic Diagram Title	Publication No.	Signal Name	Schematic Diagram Title	Publication No.
IF_OUT	Receiver Back End	68P81080C42-A	IF_OUT	Receiver IF	68P81080C42-A
2.1MHZ_3	Receiver Back End	68P81080C42-A	2.1MHZ_4	Receiver IF	68P81080C42-A
			2.1MHZ_3	Receiver IF	68P81080C42-A
			2.1MHZ_1	Receiver IF	68P81080C42-A
			2.1MHZ_4	Synthesizer	68P81080C42-A
ZIF_SEL_3	Receiver Back End	68P81080C42-A	ZIF_SEL_1	Receiver IF	68P81080C42-A
CLK_3	Receiver Back End	68P81080C42-A	CLK_1	Receiver IF	68P81080C42-A
			CLK_3	Receiver IF	68P81080C42-A
			CLK_4	Receiver IF	68P81080C42-A
			CLK_4	Synthesizer	68P81080C42-A
SPI_TX_DATA_3	Receiver Back End	68P81080C42-A	SPI_TX_DATA_1	Receiver IF	68P81080C42-A
			SPI_TX_DATA_3	Receiver IF	68P81080C42-A
			SPI_TX_DATA_4	Receiver IF	68P81080C42-A
			SPI_TX_DATA_4	Synthesizer	68P81080C42-A
AGC_3	Receiver Back End	68P81080C42-A			
SQUELCH_3	Receiver Back End	68P81080C42-A	SQUELCH_3	Receiver IF	68P81080C42-A
			SQUELCH_1	Receiver IF	68P81080C42-A
DISC_3	Receiver Back End	68P81080C42-A	DISC_1	Receiver IF	68P81080C42-A
			DISC_3	Receiver IF	68P81080C42-A
RSSI_3	Receiver Back End	68P81080C42-A			68P81080C42-A

Table 1: Schematic Diagram Interconnection List

From/To			From/To		
Signal Name	Schematic Diagram Title	Publication No.	Signal Name	Schematic Diagram Title	Publication No.
<b>SYNTHESIZER</b>					
ROSC_SEL_4	Synthesizer				68P81080C42-A
SPI_TX_DATA_4	Synthesizer	68P81080C42-A	SPI_TX_DATA_3	Receiver Back End	68P81080C42-A
9.3V_4	Synthesizer	68P81080C42-A	9.3V_1	Receiver IF	68P81080C42-A
CLK_4	Synthesizer	68P81080C42-A	CLK_3	Receiver Back End	68P81080C42-A
AUDIO_MOD_4	Synthesizer	68P81080C42-A			68P81080C42-A
Synthesizer_SEL_4	Synthesizer	68P81080C42-A			68P81080C42-A
RF_REG_5V_4	Synthesizer	68P81080C42-A	RF_REG_5V_4	Receiver IF	68P81080C42-A
			RF_REG_5V_6	Receiver Back End	
			RF_REG_5V_3	Receiver Back End	
2.1MHZ_4	Synthesizer	68P81080C42-A	2.1MHZ_3	Receiver Back End	68P81080C42-A
K9.1_9	Synthesizer	68P81080C42-A	K9.1_9	Power Amplifier	68P81080C42-A
TX_INJ	Synthesizer	68P81080C42-A			68P81080C42-A
PA_TEMP_2	Synthesizer	68P81080C42-A	PA_TEMP_9	Synthesizer	68P81080C42-A
			PA_TEMP	Power Amplifier	68P81080C42-A
PA_CNTRL_2	Synthesizer	68P81080C42-A	PA_CNTRL_9	Synthesizer	68P81080C42-A
			PA_CNTRL_9	Power Amplifier	68P81080C42-A
CURRENT_SENSE-_2	Synthesizer	68P81080C42-A	CURRENT_SENSE-_9	Synthesizer	68P81080C42-A
			CURRENT_SENSE-_9	Power Amplifier	
CURRENT_SENSE+_2	Synthesizer	68P81080C42-A	CURRENT_SENSE+_9	Synthesizer	68P81080C42-A
			CURRENT_SENSE+_9	Power Amplifier	

Table 1: Schematic Diagram Interconnection List

From/To			From/To		
Signal Name	Schematic Diagram Title	Publication No.	Signal Name	Schematic Diagram Title	Publication No.
A+_2_3	Synthesizer	68P81080C42-A	A+-2_2	Synthesizer	68P81080C42-A
		68P81080C42-A	A+_9_2	Synthesizer	68P81080c42-A
			A+_9_2	Power Amplifier	
			A+_9_3	Power Amplifier	
VFORWARD_2	Synthesizer	68P81080C42-A	VFORWARD_9	Synthesizer	68P81080c42-A
			VFORWARD	Power Amplifier	
VDRIVE_2	Synthesizer	68P81080C42-A	VDRIVE_9	Synthesizer	68P81080c42-A
GNDD_2	Synthesizer	68P81080C42-A	GNDD_9	Synthesizer	68P81080c42-A
			GNDD_9	Power Amplifier	
			GNDD_9_2_10	Power Amplifier	
			GND_9_2_10	Synthesizer	
LO_INJ_HS	Synthesizer	68P81080C42-A	GND_9_2_14	Synthesizer	68P81080c42-A
AUX1_4	Synthesizer	68P81080C42-A			68P81080c42-A
LOCK_DET_4	Synthesizer	68P81080C42-A			68P81080c42-A
<b>POWER AMPLIFIER (PA)</b>					
K9.1_2	Synthesizer	68P81080C42-A	K9.1V_9	Power Amplifier	68P81080C42-A
ROSC_SEL_4	Synthesizer				68P81080C42-A
SPI_TX_DATA_4	Synthesizer	68P81080C42-A	SPI_TX_DATA_3	Receiver Back End	68P81080C42-A
9.3V_4	Synthesizer	68P81080C42-A	9.3V_1	Receiver IF	68P81080C42-A
CLK_4	Synthesizer	68P81080C42-A	CLK_3	Receiver Back End	68P81080C42-A
AUDIO_MOD_4	Synthesizer	68P81080C42-A			68P81080C42-A

Table 1: Schematic Diagram Interconnection List

From/To			From/To		
Signal Name	Schematic Diagram Title	Publication No.	Signal Name	Schematic Diagram Title	Publication No.
SYN_SEL_4	Synthesizer	68P81080C42-A			68P81080C42-A
RF_REG_5V_4	Synthesizer	68P81080C42-A	RF_REG_5V_4	Receiver IF	68P81080C42-A
			RF_REG_5V_6	Receiver Back End	
			RF_REG_5V_3	Receiver Back End	
2.1MHZ_4	Synthesizer	68P81080C42-A	2.1MHZ_3	Receiver Back End	68P81080C42-A
K9.1_9	Synthesizer	68P81080C42-A	K9.1_9	Power Amplifier	68P81080C42-A
TX_INJ	Synthesizer	68P81080C42-A			68P81080C42-A
PA_TEMP_2	Synthesizer	68P81080C42-A	PA_TEMP_9	Synthesizer	68P81080C42-A
			PA_TEMP	Power Amplifier	68P81080C42-A
PA_CNTRL_2	Synthesizer	68P81080C42-A	PA_CNTRL_9	Synthesizer	68P81080C42-A
			PA_CNTRL_9	Power Amplifier	68P81080C42-A
CURRENT_SENSE-_2	Synthesizer	68P81080C42-A	CURRENT_SENSE-_9	Synthesizer	68P81080C42-A
			CURRENT_SENSE-_9	Power Amplifier	
CURRENT_SENSE+_2	Synthesizer	68P81080C42-A	CURRENT_SENSE+_9	Synthesizer	68P81080C42-A
			CURRENT_SENSE+_9	Power Amplifier	
A+_2_3	Synthesizer	68P81080C42-A	A+-2_2	Synthesizer	68P81080C42-A
		68P81080C42-A	A+_9_2	Synthesizer	68P81080C42-A A68P81080C42-A
			A+_9_2	Power Amplifier	
			A+_9_3	Power Amplifier	
VFORWARD_2	Synthesizer	68P81080C42-A	VFORWARD_9	Synthesizer	68P81080C42-A

Table 1: Schematic Diagram Interconnection List

From/To			From/To		
Signal Name	Schematic Diagram Title	Publication No.	Signal Name	Schematic Diagram Title	Publication No.
			VFORWARD	Power Amplifier	
VDRIVE_2	Synthesizer	68P81080C42-A	VDRIVE_9	Synthesizer	68P81080C42-A
GNDD_2	Synthesizer	68P81080C42-A	GNDD_9	Synthesizer	68P81080C42-A
			GNDD_9	Power Amplifier	
			GNDD_9_2_10	Power Amplifier	
			GND_9_2_10	Synthesizer	
LO_INJ_HS	Synthesizer	68P81080C42-A	GND_9_2_14	Synthesizer	68P81080C42-A
AUX1_4	Synthesizer	68P81080C42-A			68P81080C42-A
LOCK_DET_4	Synthesizer	68P81080C42-A			68P81080C42-A
A+_9_2	Power Amplifier	68P81080C42-A	A+_9_3	Power Amplifier	68P81080C42-A
			A+_2_3	Synthesizer	68P81080C42-A
			A+_9_2	Synthesizer	68P81080C42-A
			A+_2_2	Synthesizer	68P81080C42-A
CURRENT SENSE+_9	Power Amplifier	68P81080C42-A	CURRENT SENSE+_9	Synthesizer	68P81080C42-A
			CURRENT SENSE+_2	Synthesizer	68P81080C42-A
			CURRENT SENSE+_2	Controller: Regulator and Audio Power Amplifier	68P81083C20-B
GNDD_9	Power Amplifier	68P81080C42-A	GNDD_2	Synthesizer	68P81080C42-A
			GNDD_9	Synthesizer	68P81080C42-A
			GNDD_9_2_10	Power Amplifier	68P81080C42-A

Table 1: Schematic Diagram Interconnection List

From/To			From/To		
Signal Name	Schematic Diagram Title	Publication No.	Signal Name	Schematic Diagram Title	Publication No.
			GNDD_9_2_10	Synthesizer	68P81080C42-A
			GNDD_2	Controller: Regulator and Audio Power Amplifier	68P81083C20-B
			GNDD_9_2_14	Synthesizer	68P81080C42-A
TX_INJ	Power Amplifier	68P81080C42-A	TX_INJ	Synthesizer	68P81080C42-A
PA_CNTRL_LIM_9	Power Amplifier	68P81080C42-A			
PA_CNTRL_9	Power Amplifier	68P81080C42-A	PA_CNTRL_2	Synthesizer	68P81080C42-A
PA_TEMP	Power Amplifier	68P81080C42-A	PA_TEMP_2	Synthesizer	68P81080C42-A
CURRENT SENSE-_9	Power Amplifier	68P81080C42-A	CURRENT SENSE-_2	Synthesizer	68P81080C42-A
K9.1V_9	Power Amplifier	68P81080C42-A	K9.1_2	Synthesizer	68P81080C42-A
			K9.1_9	Synthesizer	68P81080C42-A
			K9.1_9	Controller: Regulator and Audio Power Amplifier	68P81083C20-B
VFORWARD	Power Amplifier	68P81080C42-A	VFORWARD	Synthesizer	68P81080C42-A
			VFORWARD	Controller: Regulator and Audio Power Amplifier	68P81083C20-B
RX_IN	Power Amplifier	68P81080C42-A	RX_IN	Receiver Front End	68P81080C42-A
<b>CONTROLLER</b>					
VDRIVE	Controller, Power Control/ MainController	68P81083C20-B	VDRIVE	Power Amplifier	68P81080C42-A



Table 1: Schematic Diagram Interconnection List

From/To			From/To		
Signal Name	Schematic Diagram Title	Publication No.	Signal Name	Schematic Diagram Title	Publication No.
PWR_RANGE	Controller, Power Control/ MainController	68P81083C20-B	PWR_RANGE	Controller/Main Controller	68P81083C20-B
V_FORWARD	Controller, Power Control/ MainController	68P81083C20-B	VFORWARD	Power Amplifier	68P81080C42-A
VFWD_BUF	Controller, Power Control/ MainController	68P81083C20-B	VFWD_BUF	Audio PA & Voltage Regulators	68P81083C20-B
VSUM	Controller, Power Control/ Main Controller	68P81083C20-B	VSUM	Audio PA & Voltage Regulators	68P81083C20-B
CLK	Controller, Power Control/ MainController	68P81083C20-B		All Nodes with this Signal Name are Common within the Entire Radio..	
DA_SEL	Controller, Power Control/ MainController	68P81083C20-B	DA_SEL	Controller/Main Controller	68P81083C20-B
All Nodes with this Signal Name are Common within the Entire Radio. All Nodes with this Signal Name are Common Within the Entire Radio.SPI_TX_DATA	Controller, Power Control/ MainController	68P81083C20-B			
TEMP_GND	Controller, Power Control/ MainController	68P81083C20-B			
CURRENT_SENSE+	Controller, Power Control/ Main Controller	68P81083C20-B	CURRENT_SENSE+	Power Amplifier	68P81080C42-A

Table 1: Schematic Diagram Interconnection List

From/To			From/To		
Signal Name	Schematic Diagram Title	Publication No.	Signal Name	Schematic Diagram Title	Publication No.
CURRENT_SENSE-	Controller, Power Control/ MainController	68P81083C20-B	CURRENT_SENSE-	Power Amplifier	68P81080C42-A
PA_TEMP	Controller, Power Control/ MainController	68P81083C20-B	PA_TEMP	Power Amplifier	68P81080C42-A
PA_DIS	Controller, Power Control/ MainController	68P81083C20-B	PA_DIS	Controller/Main Controller	68P81083C20-B
K9.1_ENB	Controller, Power Control/ MainController	68P81083C20-B	K9.1_ENB	Controller/Main Controller	68P81083C20-B
9.3V	Controller, Power Control/ MainController	68P81083C20-B		All Nodes with this Signal Name are Common within the Entire Radio..	
SW_B+	Controller, Power Control/ MainController	68P81083C20-B		All Nodes with this Signal Name are Common within the Entire Radio..	
+5V	Controller, Power Control/ MainController	68P81083C20-B		All Nodes with this Signal Name are Common within the Entire Radio..	
PA_CNTL_LIM	Controller, Power Control/ MainController	68P81083C20-B			
PA_CNTL	Controller, Power Control/ MainController	68P81083C20-B	PA_CNTL	Power Amplifier	68P81080C42-A

Table 1: Schematic Diagram Interconnection List

From/To			From/To		
Signal Name	Schematic Diagram Title	Publication No.	Signal Name	Schematic Diagram Title	Publication No.
TEMP	Controller, Power Control/ MainController	68P81083C20-B	TEMP	Controller/Main Controller	68P81083C20-B
RX_CNTL1	Controller, Power Control/Main Controller	68P81083C20-B	RX_CNTL1	Receiver IF	68P81080C42-A
			RX_CNTL1	Receiver IF	68P81080C42-A
K9.1V	Controller, Power Control/ MainController	68P81083C20-B		All Nodes with this Signal Name are Common within the Entire Radio..	
A+_CONT	Audio PA & Voltage Regulators/ Controller Interface	68P81083C20-B		All Nodes with this Signal Name are Common within the Entire Radio..	
UNSW_5V	Audio PA & Voltage Regulators	68P81083C20-B	UNSW_+5V	Controller, Emergency Ignition/ Controller Interface/ Main Controller	68P81083C20-B
CL_UNSW_5V	Audio PA & Voltage Regulators	68P81083C20-B			
+5V	Audio PA & Voltage Regulators	68P81083C20-B		All Nodes with this Signal Name are Common within the Entire Radio..	
SW_B+	Audio PA & Voltage Regulators	68P81083C20-B		All Nodes with this Signal Name are Common within the Entire Radio..	
AUPA_EN	Audio PA & Voltage Regulators	68P81083C20-B	AUPA_EN	Controller/Main Controller	68P81083C20-B

Table 1: Schematic Diagram Interconnection List

From/To			From/To		
Signal Name	Schematic Diagram Title	Publication No.	Signal Name	Schematic Diagram Title	Publication No.
RX_AUDIO	Audio PA & Voltage Regulators	68P81083C20-B	RX_AUDIO	Controller, ASFIC/ Audio Block Diagram/Main Con- troller	68P81083C20-B
SPKR+	Audio PA & Voltage Regulators/ Controller Interface	68P81083C20-B	SPKR+	Controller Interface	68P81083C20-B
SPKR-	Audio PA & Voltage Regulators/ Controller Interface	68P81083C20-B	SPKR-	Controller Interface	68P81083C20-B
				Controller Interface	68P81083C20-B
A+	Audio PA & Voltage Regulators	68P81083C20-B		All Nodes with this Signal Name are Common within the Entire Radio..	
B+_ON_OFF	Audio PA & Voltage Regulators/ Controller Interface	68P81083C20-B	B+_ON_OFF	Controller, Emer- gency Ignition/ Controller Interface/ Main Controller	68P81083C20-B
IGNITION_ CLEAR	Audio PA & Voltage Regulators	68P81083C20-B	IGNITION_ CLEAR	Controller/Main Con- troller	68P81083C20-B
B+_IGNITION	Audio PA & Voltage Regulators/ Controller Interface	68P81083C20-B	B+_IGNITION	Controller, Emer- gency Ignition/ Controller Interface/ Main Controller	68P81083C20-B
9.3	Audio PA & Voltage Regulators	68P81083C20-B		All Nodes with this Signal Name are Common within the Entire Radio..	

Table 1: Schematic Diagram Interconnection List

From/To			From/To		
Signal Name	Schematic Diagram Title	Publication No.	Signal Name	Schematic Diagram Title	Publication No.
Vdd	Audio PA & Voltage Regulators	68P81083C20-B		All Nodes with this Signal Name are Common within the Entire Radio..	
Vaud	Audio PA & Voltage Regulators	68P81083C20-B	Vaud	Controller, ASFIC/ Audio Block Diagram/Main Controller	68P81083C20-B
PWR_RST	Audio PA & Voltage Regulators	68P81083C20-B	PWR_RST	Controller, ASFIC/ Audio Block Diagram/Main Controller	68P81083C20-B
			PWR_RST	Controller/Main Controller	68P81083C20-B
VFWD_BUF	Audio PA & Voltage Regulators	68P81083C20-B	VFWD_BUF	Controller, Power Control/Main Controller	68P81083C20-B
VSUM	Audio PA & Voltage Regulators	68P81083C20-B	VSUM	Controller, Power Control/Main Controller	68P81083C20-B
EXP_FILTERED_AUDIO	Controller, ASFIC/ Audio Block Diagram/Main Controller	68P81083C20-B	EXP_FILTERED_AUDIO	Controller, Hear Clear/Audio Block Diagram/Main Controller	68P81083C20-B
AUX_RX_IN1	Controller, ASFIC/ Audio Block Diagram/Main Controller/Controller Interface	68P81083C20-B	AUX_RX_IN1	Controller Interface	68P81083C20-B

Table 1: Schematic Diagram Interconnection List

From/To			From/To		
Signal Name	Schematic Diagram Title	Publication No.	Signal Name	Schematic Diagram Title	Publication No.
AUX_RX_IN2	Controller, ASFIC/ Audio Block Diagram/Main Con- troller/Controller Interface	68P81083C20-B	AUX_RX_IN2	Controller Interface	68P81083C20-B
AUX_RX_IN3	Controller, ASFIC/ Audio Block Diagram/Main Con- troller/Controller Interface	68P81083C20-B	AUX_RX_IN3	Controller Interface	68P81083C20-B
AUX_TX_IN1	Controller, ASFIC/ Audio Block Diagram/Main Con- troller/Controller Interface	68P81083C20-B	AUX_TX_IN1	Controller Interface	68P81083C20-B
AUX_TX_IN2	Controller, ASFIC/ Audio Block Diagram/Main Con- troller/Controller Interface	68P81083C20-B	AUX_TX_IN2	Controller Interface	68P81083C20-B
AUX_TX_IN3	Controller, ASFIC/ Audio Block Diagram/Main Con- troller/Controller Interface	68P81083C20-B	AUX_TX_IN3	Controller Interface	68P81083C20-B
9.3V	Controller, ASFIC/ Audio Block Diagram/Main Con- troller	68P81083C20-B		All Nodes with this Signal Name are Common within the Entire Radio..	
VAG	Controller, ASFIC/ Audio Block Diagram/Main Con- troller	68P81083C20-B	VAG	Controller, IO RSSI Buffers Controller Interface/ Main Controller	68P81083C20-B

Table 1: Schematic Diagram Interconnection List

From/To			From/To		
Signal Name	Schematic Diagram Title	Publication No.	Signal Name	Schematic Diagram Title	Publication No.
Vaud	Controller, ASFIC/ Audio Block Diagram/Main Con- troller	68P81083C20-B	Vaud	Audio PA & Voltage Regulators	68P81083C20-B
CLK	Controller, ASFIC/ AUdio Block Diagram/Main Con- troller	68P81083C20-B		All Nodes with this Signal Name are Common within the Entire Radio..	
PL_TX	Controller, ASFIC/ Audio Block Diagram/Main Con- troller	68P81083C20-B	PL_TX	Controller/Main Con- troller	68P81083C20-B
2.1MHZ	Controller, ASFIC/ Audio Block Diagram/Main Con- troller	68P81083C20-B		All Nodes with this Signal Name are Common within the Entire Radio..	
TX_DATA	Controller, ASFIC/ Audio Block Diagram/Main Con- troller	68P81083C20-B	TX_DATA	Controller/Main Con- troller	68P81083C20-B
LG_DTMF	Controller, ASFIC/ Audio Block Diagram/Main Con- troller	68P81083C20-B	LG_DTMF	Controller/Main Con- troller	68P81083C20-B
ASFIC_SEL	Controller, ASFIC/ Audio Block Diagram/Main Con- troller	68P81083C20-B	ASFIC_SEL	Controller/Main Con- troller	68P81083C20-B
SPI_TX_DATA	Controller, ASFIC/ Audio Block Diagram/Main Con- troller	68P81083C20-B		All Nodes with this Signal Name are Common within the Entire Radio..	

Table 1: Schematic Diagram Interconnection List

From/To			From/To		
Signal Name	Schematic Diagram Title	Publication No.	Signal Name	Schematic Diagram Title	Publication No.
EXP_AUDIO	Controller, ASFIC/ Audio Block Diagram/Main Con- troller	68P81083C20-B	EXP_AUDIO	Controller, Hear Clear/Audio Block Diagram/Main Con- troller	68P81083C20-B
RX_IN	Controller, ASFIC/ Audio Block Diagram/Main Con- troller	68P81083C20-B	RX_IN	Controller, Hear Clear/Audio Block Diagram/Main Con- troller	68P81083C20-B
TRL_HD2:KEY_FAIL	Controller, ASFIC/ Audio Block Diagram/Main Con- troller	68P81083C20-B	TRL_HD2:KEY_FAIL	Controller Interface	68P81083C20-B
SQUELCH_IN	Controller, ASFIC/ Audio Block Diagram/Main Con- troller	68P81083C20-B	SQUELCH	Receiver IF	68P81080C42-A
			SQUELCH	Receiver IF	68P81080C42-A
MIC_VOLTAGE	Controller, ASFIC/ Audio Block Diagram/Main Con- troller	68P81083C20-B	MIC_VOLTAGE	Controller, Emer- gency Ignition/ Controller Interface/ Main Controller	68P81083C20-B
MIC_IN	Controller, ASFIC/ Audio Block Diagram/Main Con- troller	68P81083C20-B	MIC_IN	Controller, Emer- gency Ignition/ Controller Interface/ Main Controller	68P81083C20-B
DISC	Controller, ASFIC/ Audio Block Diagram/Main Con- troller	68P81083C20-B	DISC	Controller, Hear Clear/Audio Block Diagram/Main Con- troller	68P81083C20-B
			DISC	Receiver IF	68P81080C42-A
			DISC	Receiver IF	68P81080C42-A



Table 1: Schematic Diagram Interconnection List

From/To			From/To		
Signal Name	Schematic Diagram Title	Publication No.	Signal Name	Schematic Diagram Title	Publication No.
			DISC	Receiver Back End	68P81080C42-A
EXT_MIC_IN	Controller, ASFIC/ Audio Block Diagram/Main Controller	68P81083C20-B	EXT_MIC_IN	Controller Interface	68P81083C20-B
TX_IN	Controller, ASFIC/ Audio Block Diagram/Main Controller	68P81083C20-B	TX_IN	Controller, Hear Clear/Audio Block Diagram/Main Controller	68P81083C20-B
RSSI	Controller, ASFIC/ Audio Block Diagram/Main Controller	68P81083C20-B		All Nodes with this Signal Name are Common within the Entire Radio..	
PWR_RST	Controller, ASFIC/ Audio Block Diagram/Main Controller	68P81083C20-B	PWR_RST	Audio PA & Voltage Regulators	68P81083C20-B
			PWR_RST	Controller/Main Controller	68P81083C20-B
RX_HI&FIL_ AUDIO_OUT	Controller, ASFIC/ Audio Block Diagram/Main Controller	68P81083C20-B	RX_HI&FIL_ AUDIO_OUT	Controller Interface	68P81083C20-B
RX_HI	Controller, ASFIC/ Audio Block Diagram/Main Controller	68P81083C20-B	RX_HI	Controller Interface	68P81083C20-B
1200	Controller, ASFIC/ Audio Block Diagram/Main Controller	68P81083C20-B	1200	Controller/Main Controller	68P81083C20-B

Table 1: Schematic Diagram Interconnection List

From/To			From/To		
Signal Name	Schematic Diagram Title	Publication No.	Signal Name	Schematic Diagram Title	Publication No.
UP_CLK	Controller, ASFIC/ Audio Block Diagram/Main Con- troller	68P81083C20-B	UP_CLK	Controller/Main Con- troller	68P81083C20-B
PL_RX	Controller, ASFIC/ Audio Block Diagram/Main Con- troller	68P81083C20-B	PL_RX	Controller/Main Con- troller	68P81083C20-B
RX_DATA	Controller, ASFIC/ Audio Block Diagram/Main Con- troller	68P81083C20-B	RX_DATA	Controller/Main Con- troller	68P81083C20-B
RX_AUDIO	Controller, ASFIC/ Audio Block Diagram/Main Con- troller	68P81083C20-B	RX_AUDIO	Audio PA & Voltage Regulators	68P81083C20-B
FILTERED_ AUDIO	Controller, ASFIC/ Audio Block Diagram/Main Con- troller	68P81083C20-B	FILTERED_ AUDIO	Controller, Hear Clear/Audio Block Diagram/Main Con- troller	68P81083C20-B
ASFIC_MIC_ AUD_OUT	Controller, ASFIC/ Audio Block Diagram/Main Con- troller	68P81083C20-B	ASFIC_MIC_ AUD_OUT	Controller, Hear Clear/Audio Block Diagram/Main Con- troller	68P81083C20-B
VOX	Controller, ASFIC/ Audio Block Diagram/Main Con- troller	68P81083C20-B	VOX	Controller/Main Con- troller	68P81083C20-B
ASFIC_PRE-EMP_OUT	Controller, ASFIC/ Audio Block Diagram/Main Con- troller	68P81083C20-B	ASFIC_PRE-EMP_OUT		68P81083C20-B

Table 1: Schematic Diagram Interconnection List

From/To			From/To		
Signal Name	Schematic Diagram Title	Publication No.	Signal Name	Schematic Diagram Title	Publication No.
AUDIO_MOD	Controller, ASFIC/ Audio Block Diagram/Main Con- troller	68P81083C20-B	AUDIO_MOD	Receiver IF	68P81080C42-A
			AUDIO_MOD	Receiver IF	68P81080C42-A
			AUDIO_MOD	Synthesizer	68P81080C42-A
FF_EN	Controller, ASFIC/ Audio Block Diagram/Main Con- troller	68P81083C20-B	FF_EN	Controller, Hear Clear/audio Block Diagram/Main Con- troller	68P81083C20-B
HCI_DIS	Controller, ASFIC/ Audio Block Diagram/Main Con- troller	68P81083C20-B	HCI_DIS	Controller, Hear Clear/audio Block Diagram/Main Con- troller	68P81083C20-B
LC_DIS	Controller, ASFIC/ Audio Block Diagram/Main Con- troller	68P81083C20-B	LC_DIS	Controller, Hear Clear/audio Block Diagram/Main Con- troller	68P81083C20-B
COMP_EN	Controller, ASFIC/ Audio Block Diagram/Main Con- troller	68P81083C20-B	COMP_EN	Controller, Hear Clear/audio Block Diagram/Main Con- troller	68P81083C20-B
HI_CLMP_EN	Controller, ASFIC/ Audio Block Diagram/Main Con- troller	68P81083C20-B	HI_CLMP_EN	Controller, Hear Clear/audio Block Diagram/Main Con- troller	68P81083C20-B
CH_ACT	Controller, ASFIC/ Audio Block Diagram/Main Con- troller	68P81083C20-B	CH_ACT	Controller/Main Con- troller	68P81083C20-B

Table 1: Schematic Diagram Interconnection List

From/To			From/To		
Signal Name	Schematic Diagram Title	Publication No.	Signal Name	Schematic Diagram Title	Publication No.
SQ_DET	Controller, ASFIC/ Audio Block Diagram/Main Con- troller	68P81083C20-B	SQ_DET	Controller/Main Con- troller	68P81083C20-B
UNIV_IO	Controller, ASFIC/ Audio Block Diagram/Main Con- troller	68P81083C20-B	UNIV_IO	Controller Interface	68P81083C20-B
			UNIV_IO	Controller, IO RSSI Buffers/Controller Interface/Main Con- troller	68P81083C20-B
COMP_EN	Controller, Hear Clear/Audio Block Diagram/Main Con- troller	68P81083C20-B	COMP_EN	Controller, ASFIC/ Audio Block Diagram/Main Con- troller	68P81083C20-B
FF_EN	Controller, Hear Clear/audio Block Diagram/Main Con- troller	68P81083C20-B	FF_EN	Controller, ASFIC/ Audio Block Diagram/Main Con- troller	68P81083C20-B
HI_CLMP_EN	Controller, Hear Clear/Audio Block Diagram/Main Con- troller	68P81083C20-B	HI_CLMP_EN	Controller, ASFIC/ Audio Block Diagram/Main Con- troller	68P81083C20-B
RSSI	Controller, Hear Clear/Audio Block Diagram/Main Con- troller	68P81083C20-B		All Nodes with this Signal Name are Common within the Entire Radio..	
DISC	Controller, Hear Clear/Audio Block Diagram/Main Con- troller	68P81083C20-B	DISC	Receiver IF	68P81080C42-A

Table 1: Schematic Diagram Interconnection List

From/To			From/To		
Signal Name	Schematic Diagram Title	Publication No.	Signal Name	Schematic Diagram Title	Publication No.
			DISC	Receiver IF	68P81080C42-A
			DISC	Receiver Back End	68P81080C42-A
			DISC	Controller, ASFIC/ Audio Block Diagram/Main Controller	68P81083C20-B
HCI_DIS	Controller, Hear Clear/Audio Block Diagram/Main Controller	68P81083C20-B	HCI_DIS	Controller, ASFIC/ Audio Block Diagram/Main Controller	68P81083C20-B
LC_DIS	Controller, Hear Clear/Audio Block Diagram/Main Controller	68P81083C20-B	LC_DIS	Controller, ASFIC/ Audio Block Diagram/Main Controller	68P81083C20-B
FILTERED_AUDIO	Controller, Hear Clear/Audio Block Diagram/Main Controller	68P81083C20-B	FILTERED_AUDIO	Controller, ASFIC/ Audio Block Diagram/Main Controller	68P81083C20-B
ASFIC_MIC_AUD_OUT	Controller, Hear Clear/Audio Block Diagram/Main Controller	68P81083C20-B	ASFIC_MIC_AUD_OUT	Controller, ASFIC/ Audio Block Diagram/Main Controller	68P81083C20-B
9.3V	Controller, Hear Clear/Audio Block Diagram/Main Controller	68P81083C20-B		All Nodes with this Signal Name are Common within the Entire Radio..	
EXP_FILTERED_AUDIO	Controller, Hear Clear/Audio Block Diagram/Main Controller	68P81083C20-B	EXP_FILTERED_AUDIO	Controller, ASFIC/ Audio Block Diagram/Main Controller	68P81083C20-B

Table 1: Schematic Diagram Interconnection List

From/To			From/To		
Signal Name	Schematic Diagram Title	Publication No.	Signal Name	Schematic Diagram Title	Publication No.
EXP_AUDIO	Controller, Hear Clear/Audio Block Diagram/Main Controller	68P81083C20-B	EXP_AUDIO	Controller, ASFIC/Audio Block Diagram/Main Controller	68P81083C20-B
RX_IN	Controller, Hear Clear/Audio Block Diagram/Main Controller	68P81083C20-B	RX_IN	Controller, ASFIC/Audio Block Diagram/Main Controller	68P81083C20-B
TX_IN	Controller, Hear Clear/Audio Block Diagram/Main Controller	68P81083C20-B	TX_IN	Controller, ASFIC/Audio Block Diagram/Main Controller	68P81083C20-B
UNIV_IO	Controller, IO RSSI Buffers/Controller Interface/Main Controller	68P81083C20-B	UNIV_IO	Controller Interface	68P81083C20-B
			UNIV_IO	Controller, ASFIC/Audio Block Diagram/Main Controller	68P81083C20-B
RSSI	Controller, IO RSSI Buffers/Controller Interface/Main Controller	68P81083C20-B		All Nodes with this Signal Name are Common within the Entire Radio..	
UNIV_IO_OUT	Controller, IO RSSI Buffers/Controller Interface/Main Controller	68P81083C20-B	BUFFERED DISCRIMINATOR		68P81083C20-B
RSSI_OUT	Controller, IO RSSI Buffers/Controller Interface/Main Controller	68P81083C20-B	RSSI_OUT	Controller/Main Controller	68P81083C20-B

Table 1: Schematic Diagram Interconnection List

From/To			From/To		
Signal Name	Schematic Diagram Title	Publication No.	Signal Name	Schematic Diagram Title	Publication No.
			RSSI_OUT	Controller Interface	68P81083C20-B
9.3V	Controller, IO RSSI Buffers/ Controller Interface/ Main Controller	68P81083C20-B		All Nodes with this Signal Name are Common within the Entire Radio..	
Vdd	Controller, IO RSSI Buffers/ Controller Interface/ Main Controller	68P81083C20-B		All Nodes with this Signal Name are Common within the Entire Radio.	
VAG	Controller, IO RSSI Buffers/ Controller Interface/ Main Controller	68P81083C20-B	VAG	Controller, ASFIC/ AUdio Block Diagram/Main Controller	68P81083C20-B
MIC_VOLTAGE	Controller, Emergency Ignition/ Controller Interface/ Main Controller	68P81083C20-B	MIC_VOLTAGE	Controller, ASFIC/ Audio Block Diagram/Main Controller	68P81083C20-B
MIC_IN	Controller, Emergency Ignition/ Controller Interface/ Main Controller	68P81083C20-B	MIC_IN	Controller, ASFIC/ Audio Block Diagram/Main Controller	68P81083C20-B
EMERGENCY	Controller, Emergency Ignition/ Controller Interface/ Main Controller	68P81083C20-B	EMERGENCY	Controller Interface	68P81083C20-B
B+_CTRL	Controller, Emergency Ignition/ Controller Interface/ Main Controller	68P81083C20-B	B+_CTRL	Controller/Main Controller	68P81083C20-B

Table 1: Schematic Diagram Interconnection List

From/To			From/To		
Signal Name	Schematic Diagram Title	Publication No.	Signal Name	Schematic Diagram Title	Publication No.
IGNITION	Controller, Emergency Ignition/ Controller Interface/ Main Controller	68P81083C20-B	IGNITION	Controller Interface	68P81083C20-B
SW_B+_SENSE	Controller, Emergency Ignition/ Controller Interface/ Main Controller	68P81083C20-B	SW_B+_SENSE	Controller/Main Controller	68P81083C20-B
B+_ON_OFF	Controller, Emergency Ignition/ Controller Interface/ Main Controller	68P81083C20-B	B+_ON_OFF	Audio PA & Voltage Regulators/ Controller Interface	68P81083C20-B
EMER_OUT	Controller, Emergency Ignition/ Controller Interface/ Main Controller	68P81083C20-B	EMER_IN	Controller/Main Controller	68P81083C20-B
A+_SENSE	Controller, Emergency Ignition/ Controller Interface/ Main Controller	68P81083C20-B	A+_SENSE	Controller/Main Controller	68P81083C20-B
IGNITION_SENSE	Controller, Emergency Ignition/ Controller Interface/ Main Controller	68P81083C20-B	IGNITION_SENSE	Controller/Main Controller	68P81083C20-B
B+_IGNITION	Controller, Emergency Ignition/ Controller Interface/ Main Controller	68P81083C20-B	B+_IGNITION	Audio PA & Voltage Regulators/ Controller Interface	68P81083C20-B
+5V	Controller, Emergency Ignition/ Controller Interface/ Main Controller	68P81083C20-B		All Nodes with this Signal Name are Common within the Entire Radio..	



Table 1: Schematic Diagram Interconnection List

From/To			From/To		
Signal Name	Schematic Diagram Title	Publication No.	Signal Name	Schematic Diagram Title	Publication No.
SW_B+	Controller, Emergency Ignition/ Controller Interface/ Main Controller	68P81083C20-B		All Nodes with this Signal Name are Common within the Entire Radio..	
UNSW_+5V	Controller, Emergency Ignition/ Controller Interface/ Main Controller	68P81083C20-B	UNSW_5V	Audio PA & Voltage Regulators	68P81083C20-B
Vdd	Controller, Emergency Ignition/ Controller Interface/ Main Controller	68P81083C20-B		All Nodes with this Signal Name are Common within the Entire Radio..	
BUS-	Controller, SCI Drivers/ Controller Interface/ Main Controller	68P81083C20-B	BUS-	Controller Interface	68P81083C20-B
BUS+	Controller, SCI Drivers/ Controller Interface/ Main Controller	68P81083C20-B	BUS+	Controller Interface	68P81083C20-B
SCI_TX	Controller, SCI Drivers/ Controller Interface/ Main Controller	68P81083C20-B	SCI_TX	Controller/Main Controller	68P81083C20-B
BUSY_OUT	Controller, SCI Drivers/ Controller Interface/ Main Controller	68P81083C20-B	BUSY_OUT	Controller/Main Controller	68P81083C20-B
BUSY	Controller, SCI Drivers/ Controller Interface/ Main Controller	68P81083C20-B	BUSY	Controller Interface	68P81083C20-B
RESET_OUT	Controller, SCI Drivers/ Controller Interface/ Main Controller	68P81083C20-B	RESET_OUT	Controller/Main Controller	68P81083C20-B

Table 1: Schematic Diagram Interconnection List

From/To			From/To		
Signal Name	Schematic Diagram Title	Publication No.	Signal Name	Schematic Diagram Title	Publication No.
LH_RESET	Controller, SCI Drivers/Controller Interface/Main Controller	68P81083C20-B	RESET	Controller Interface	68P81083C20-B
			RESET	Controller Interface	68P81083C20-B
SCI_RX	Controller, SCI Drivers/Controller Interface/Main Controller	68P81083C20-B	SCI_RX	Controller/Main Controller	68P81083C20-B
SCI_ECHO	Controller, SCI Drivers/Controller Interface/Main Controller	68P81083C20-B	SCI_ECHO	Controller	68P81083C20-B
BUS_SCI	Controller, SCI Drivers/Controller Interface/Main Controller	68P81083C20-B			
BUSY_IN	Controller, SCI Drivers/Controller Interface/Main Controller	68P81083C20-B	BUSY_IN	Controller/Main Controller	68P81083C20-B
RESET_IN	Controller, SCI Drivers/Controller Interface/Main Controller	68P81083C20-B	RESET_IN	Controller/Main Controller	68P81083C20-B
CLOSED_RESET (On Closed Architecture Only)	Controller, SCI Drivers/Controller Interface/Main Controller	68P81083C20-B			
+5V	Controller, SCI Drivers/Controller Interface/Main Controller	68P81083C20-B		All Nodes with this Signal Name are Common within the Entire Radio..	
Vdd	Controller, SCI Drivers/Controller Interface/Main Controller	68P81083C20-B		All Nodes with this Signal Name are Common within the Entire Radio..	

Table 1: Schematic Diagram Interconnection List

From/To			From/To		
Signal Name	Schematic Diagram Title	Publication No.	Signal Name	Schematic Diagram Title	Publication No.
IO2	Controller, IO Buffers/Controller Interface/Main Controller	68P81083C20-B	IO2	Controller Interface	68P81083C20-B
OUT2	Controller, IO Buffers/Controller Interface/Main Controller	68P81083C20-B	OUT_2	Controller/Main Controller	68P81083C20-B
IO3	Controller, IO Buffers/Controller Interface/Main Controller	68P81083C20-B	IO3	Controller Interface	68P81083C20-B
			VPP_PROGRAM	Controller/Main Controller	68P81083C20-B
OUT3	Controller, IO Buffers/Controller Interface/Main Controller	68P81083C20-B	OUT_3	Controller/Main Controller	68P81083C20-B
IO4	Controller, IO Buffers/Controller Interface/Main Controller	68P81083C20-B	IO4	Controller Interface	68P81083C20-B
OUT4	Controller, IO Buffers/Controller Interface/Main Controller	68P81083C20-B	OUT_4	Controller/Main Controller	68P81083C20-B
IO5	Controller, IO Buffers/Controller Interface/Main Controller	68P81083C20-B	IO5	Controller Interface	68P81083C20-B
OUT5	Controller, IO Buffers/Controller Interface/Main Controller	68P81083C20-B	OUT_5	Controller/Main Controller	68P81083C20-B
IO6	Controller, IO Buffers/Controller Interface/Main Controller	68P81083C20-B	IO6	Controller Interface	68P81083C20-B

Table 1: Schematic Diagram Interconnection List

From/To			From/To		
Signal Name	Schematic Diagram Title	Publication No.	Signal Name	Schematic Diagram Title	Publication No.
OUT6	Controller, IO Buffers/Controller Interface/Main Controller	68P81083C20-B	OUT_6	Controller/Main Controller	68P81083C20-B
IN2	Controller, IO Buffers/Controller Interface/Main Controller	68P81083C20-B	IN_2	Controller/Main Controller	68P81083C20-B
IN3	Controller, IO Buffers/Controller Interface/Main Controller	68P81083C20-B	IN_3	Controller/Main Controller	68P81083C20-B
IN4	Controller, IO Buffers/Controller Interface/Main Controller	68P81083C20-B	IN_4	Controller/Main Controller	68P81083C20-B
IN5	Controller, IO Buffers/Controller Interface/Main Controller	68P81083C20-B	IN_5	Controller/Main Controller	68P81083C20-B
IN6:_RTSBIN	Controller, IO Buffers/Controller Interface/Main Controller	68P81083C20-B	IN_6	Controller/Main Controller	68P81083C20-B
Vdd	Controller, IO Buffers/Controller Interface/Main Controller	68P81083C20-B		All Nodes with this Signal Name are Common within the Entire Radio..	
SW_B+	Controller, IO Buffers/Controller Interface/Main Controller	68P81083C20-B		All Nodes with this Signal Name are Common within the Entire Radio..	
+5V	Controller, IO Buffers/Controller Interface/Main Controller	68P81083C20-B		All Nodes with this Signal Name are Common within the Entire Radio..	
RX_DATA_IN	Controller/Main Controller	68P81083C20-B	SW_5V:RX_DATA_IN	Controller Interface	68P81083C20-B

Table 1: Schematic Diagram Interconnection List

From/To			From/To		
Signal Name	Schematic Diagram Title	Publication No.	Signal Name	Schematic Diagram Title	Publication No.
RTSB_OUT	Controller/Main Controller	68P81083C20-B	BUF_CH_EN: RTSB_OUT	Controller Interface	68P81083C20-B
RESET*	Controller/Main Controller	68P81083C20-B	RESET*	Controller Interface	68P81083C20-B
PWR_RST	Controller/Main Controller	68P81083C20-B	PWR_RST	Audio PA & Voltage Regulators	68P81083C20-B
			PWR_RST	Controller, ASFIC/ Audio Block Diagram/Main Controller	68P81083C20-B
RESET_OUT	Controller/Main Controller	68P81083C20-B	RESET_OUT	Controller, SCI Drivers/Controller Interface/Main Controller	68P81083C20-B
RESET_IN	Controller/Main Controller	68P81083C20-B	RESET_IN	Controller, SCI Drivers/Controller Interface/Main Controller	68P81083C20-B
RX_DATA	Controller/Main Controller	68P81083C20-B	RX_DATA	Controller, ASFIC/ Audio Block Diagram/Main Controller	68P81083C20-B
ASN_SEL	Controller/Main Controller	68P81083C20-B			
K9.1_ENB	Controller/Main Controller	68P81083C20-B	K9.1_ENB	Controller, Power Control/Main Controller	68P81083C20-B
OUT_3	Controller/Main Controller	68P81083C20-B	OUT3	Controller, IO Buffers/Controller Interface/Main Controller	68P81083C20-B
OUT_2	Controller/Main Controller	68P81083C20-B	OUT2	Controller, IO Buffers/Controller Interface/Main Controller	68P81083C20-B

Table 1: Schematic Diagram Interconnection List

From/To			From/To		
Signal Name	Schematic Diagram Title	Publication No.	Signal Name	Schematic Diagram Title	Publication No.
AUPA_EN	Controller/Main Controller	68P81083C20-B	AUPA_EN	Audio PA & Voltage Regulators	68P81083C20-B
JABBA_SEL	Controller/Main Controller	68P81083C20-B	O:JABBA_SEL_C:DTMF_SEL	Controller Interface	68P81083C20-B
PWR_RANGE	Controller/Main Controller	68P81083C20-B	PWR_RANGE	Controller, Power Control/Main Controller	68P81083C20-B
DA_SEL	Controller/Main Controller	68P81083C20-B	DA_SEL	Controller, Power Control/Main Controller	68P81083C20-B
PL_RX	Controller/Main Controller	68P81083C20-B	PL_RX	Controller, ASFIC/ Audio Block Diagram/Main Controller	68P81083C20-B
DUPLEX_SYN_SEL	Controller/Main Controller	68P81083C20-B	DUPLEX_SYN_SELECT	Receiver IF	68P81080C42-A
BUF_SPI_DATA:SECURE_SEL	Controller/Main Controller	68P81083C20-B	BUF_SPI_DATA:SECURE_SELECT	Controller Interface	68P81083C20-B
IGNITION_CLEAR	Controller/Main Controller	68P81083C20-B	IGNITION_CLEAR	Audio PA & Voltage Regulators	68P81083C20-B
ZIF_SEL	Controller/Main Controller	68P81083C20-B	ZIF_SEL	Receiver IF	68P81080C42-A
			ZIF_SEL	Receiver IF	68P81080C42-A
			ZIF_SEL	Receiver BACK-END	68P81080C42-A
OUT_6	Controller/Main Controller	68P81083C20-B	OUT6	Controller, IO Buffers/Controller Interface/Main Controller	68P81083C20-B

Table 1: Schematic Diagram Interconnection List

From/To			From/To		
Signal Name	Schematic Diagram Title	Publication No.	Signal Name	Schematic Diagram Title	Publication No.
BUSY_OUT	Controller/Main Controller	68P81083C20-B	BUSY_OUT	Controller, SCI Drivers/Controller Interface/Main Controller	68P81083C20-B
B+_CTRL	Controller/Main Controller	68P81083C20-B	B+_CTRL	Controller, Emergency Ignition/Controller Interface/Main Controller	68P81083C20-B
LOCK_DET	Controller/Main Controller	68P81083C20-B	LOCK_DET	Receiver IF	68P81080C42-A
			LOCK_DET	Receiver IF	68P81080C42-A
			LOCK_DET	Synthesizer	68P81080C42-A
IN_3	Controller/Main Controller	68P81083C20-B	IN3	Controller, IO Buffers/Controller Interface/Main Controller	68P81083C20-B
IN_4	Controller/Main Controller	68P81083C20-B	IN4	Controller, IO Buffers/Controller Interface/Main Controller	68P81083C20-B
ASN_INT	Controller/Main Controller	68P81083C20-B	ASN_INT_OPT_TX	Controller Interface	68P81083C20-B
OUT_5	Controller/Main Controller	68P81083C20-B	OUT5	Controller, IO Buffers/Controller Interface/Main Controller	68P81083C20-B
OUT_4	Controller/Main Controller	68P81083C20-B	OUT4	Controller, IO Buffers/Controller Interface/Main Controller	68P81083C20-B
EMER_IN	Controller/Main Controller	68P81083C20-B	EMER_OUT	Controller, Emergency Ignition/Controller Interface/Main Controller	68P81083C20-B

Table 1: Schematic Diagram Interconnection List

From/To			From/To		
Signal Name	Schematic Diagram Title	Publication No.	Signal Name	Schematic Diagram Title	Publication No.
SW_B+_SENSE	Controller/Main Controller	68P81083C20-B	SW_B+_SENSE	Controller, Emergency Ignition/Controller Interface/Main Controller	68P81083C20-B
DUPLEX_LOCK_DET (Not Connected For Half Duplex)	Controller/Main Controller	68P81083C20-B			
IGNITION_SENSE	Controller/Main Controller	68P81083C20-B	IGNITION_SENSE	Controller, Emergency Ignition/Controller Interface/Main Controller	68P81083C20-B
IN_6	Controller/Main Controller	68P81083C20-B	IN6_:RTSBIN	Controller, IO Buffers/Controller Interface/Main Controller	68P81083C20-B
JABBA_INT	Controller/Main Controller	68P81083C20-B	O:JABBA_INT_C:DTMF_SEL	Controller Interface	68P81083C20-B
SQ_DET	Controller/Main Controller	68P81083C20-B	SQ_DET	Controller, ASFIC/Audio Block Diagram/Main Controller	68P81083C20-B
IN_5	Controller/Main Controller	68P81083C20-B	IN5	Controller, IO Buffers/Controller Interface/Main Controller	68P81083C20-B
CH_ACT	Controller/Main Controller	68P81083C20-B	CH_ACT	Controller, ASFIC/Audio Block Diagram/Main Controller	68P81083C20-B
IN_2	Controller/Main Controller	68P81083C20-B	IN2	Controller, IO Buffers/Controller Interface/Main Controller	68P81083C20-B



Table 1: Schematic Diagram Interconnection List

From/To			From/To		
Signal Name	Schematic Diagram Title	Publication No.	Signal Name	Schematic Diagram Title	Publication No.
PL_TX	Controller/Main Controller	68P81083C20-B	PL_TX	Controller, ASFIC/ Audio Block Diagram/Main Controller	68P81083C20-B
TX_DATA	Controller/Main Controller	68P81083C20-B	TX_DATA	Controller, ASFIC/ Audio Block Diagram/Main Controller	68P81083C20-B
LG_DTMF	Controller/Main Controller	68P81083C20-B	LG_DTMF	Controller, ASFIC/ Audio Block Diagram/Main Controller	68P81083C20-B
1200	Controller/Main Controller	68P81083C20-B	1200	Controller, ASFIC/ Audio Block Diagram/Main Controller	68P81083C20-B
BUSY_IN	Controller/Main Controller	68P81083C20-B	BUSY_IN	Controller, SCI Drivers/ Controller Interface/ Main Controller	68P81083C20-B
A+_SENSE	Controller/Main Controller	68P81083C20-B	A+_SENSE	Controller, Emergency Ignition/ Controller Interface/ Main Controller	68P81083C20-B
UP_CLK	Controller/Main Controller	68P81083C20-B	UP_CLK	Controller, ASFIC/ Audio Block Diagram/ Main Controller	68P81083C20-B
MOD_A_B	Controller/Main Controller	68P81083C20-B	MOD_A_B	Controller Interface	68P81083C20-B
SCI_RX	Controller/Main Controller	68P81083C20-B	SCI_RX	Controller, SCI Drivers/ Controller Interface/ Main Controller	68P81083C20-B

Table 1: Schematic Diagram Interconnection List

From/To			From/To		
Signal Name	Schematic Diagram Title	Publication No.	Signal Name	Schematic Diagram Title	Publication No.
SCI_TX	Controller/Main Controller	68P81083C20-B	SCI_TX	Controller, SCI Drivers/Controller Interface/Main Controller	68P81083C20-B
SPI_RX_DATA	Controller/Main Controller	68P81083C20-B	SPI_RX_DATA	Controller Interface	68P81083C20-B
SPI_TX_DATA	Controller/Main Controller	68P81083C20-B		All Nodes with this Signal Name are Common within the Entire Radio..	
CLK	Controller/Main Controller	68P81083C20-B		All Nodes with this Signal Name are Common within the Entire Radio..	
PA_DIS	Controller/Main Controller	68P81083C20-B	PA_DIS	Controller, Power Control/Main Controller	68P81083C20-B
RSSI	Controller/Main Controller	68P81083C20-B		All Nodes with this Signal Name are Common within the Entire Radio.	
RSSI_OUT	Controller/Main Controller	68P81083C20-B	RSSI_OUT	Controller, IO RSSI Buffers/Controller Interface/Main Controller	68P81083C20-B
			RSSI_OUT	Controller Interface	68P81083C20-B
LBAT	Controller/Main Controller	68P81083C20-B	LBAT	Controller Interface	68P81083C20-B
TEMP	Controller/Main Controller	68P81083C20-B	TEMP	Controller, Power Control/Main Controller	68P81083C20-B

Table 1: Schematic Diagram Interconnection List

From/To			From/To		
Signal Name	Schematic Diagram Title	Publication No.	Signal Name	Schematic Diagram Title	Publication No.
VOX	Controller/Main Controller	68P81083C20-B	VOX	Controller, ASFIC/ Audio Block Diagram/Main Controller	68P81083C20-B
SYN_SEL	Controller/Main Controller	68P81083C20-B	SYN_SEL	Receiver IF	68P81080C42-A
			SYN_SEL	Receiver IF	68P81080C42-A
			SYNT_SEL	Synthesizer	68P81080C42-A
ROSC_SEL	Controller/Main Controller	68P81083C20-B	ROSC_SEL	Receiver IF	68P81080C42-A
			ROSC_SEL	Receiver IF	68P81080C42-A
			ROSC_SEL	Synthesizer	68P81080C42-A
ASFIC_SEL	Controller/Main Controller	68P81083C20-B	ASFIC_SEL	Controller, ASFIC/ Audio Block Diagram/Main Controller	68P81083C20-B
VPP_PROGRAM	Controller/Main Controller	68P81083C20-B	IO3	Controller, IO Buffers/ Controller Interface/ Main Controller	68P81083C20-B
			IO3	Controller Interface	68P81083C20-B
Vdd	Controller/Main Controller	68P81083C20-B		All Nodes with this Signal Name are Common within the Entire Radio..	
SW_5V:RX_DATA_IN	Controller Interface	68P81083C20-B	RX_DATA_IN	Controller/Main Controller	68P81083C20-B
BUF_CH_EN: RTSB_OUT	Controller Interface	68P81083C20-B	RTSB_OUT	Controller/Main Controller	68P81083C20-B

Table 1: Schematic Diagram Interconnection List

From/To			From/To		
Signal Name	Schematic Diagram Title	Publication No.	Signal Name	Schematic Diagram Title	Publication No.
O:JABBA_SEL_C:DTMF_SEL	Controller Interface	68P81083C20-B	JABBA_SEL	Controller/Main Controller	68P81083C20-B
BUF_SPI_DATA:SECURE_SELECT	Controller Interface	68P81083C20-B	BUF_SPI_DATA:SECURE_SEL	Controller/Main Controller	68P81083C20-B
O:JABBA_INT_C:DTMF_SEL	Controller Interface	68P81083C20-B	JABBA_INT	Controller/Main Controller	68P81083C20-B
MOD_A_B	Controller Interface	68P81083C20-B	MOD_A_B	Controller/Main Controller	68P81083C20-B
SPI_RX_DATA	Controller Interface	68P81083C20-B	SPI_RX_DATA	Controller/Main Controller	68P81083C20-B
RSSI_OUT	Controller Interface	68P81083C20-B	RSSI_OUT	Controller, IO RSSI Buffers/ Controller Interface/ Main Controller	68P81083C20-B
			RSSI_OUT	Controller/Main Controller	68P81083C20-B
LBAT	Controller Interface	68P81083C20-B	LBAT	Controller/Main Controller	68P81083C20-B

# NOTES

Cut along dotted line

# SERVICE MANUAL QUESTIONNAIRE

We believe that reports from users provide valuable information for producing quality manuals. By taking a few moments to answer the following questions as they relate to this specific manual, you can take an active role in the continuing effort to ensure that our manuals contain the most accurate and complete information of benefit to you. Thank you for your cooperation.

In reference to Manual Number: 68P81080C42-A

## MCS 2000™ Mobile Radio

1. Please check all the appropriate boxes:

	Complete	Incomplete	Correct	Incorrect	Clear	Confusing	Size Adequate	Size Too Small	Not Covered in This Manual
Disassembly Procedures									
Alignment Procedures									
Exploded Views									
Schematic Diagrams									
Circuit Board Details									
Electrical Parts Lists									
Exploded View Parts List									

2. How would you rate the overall organization of this manual?

- excellent   
 very good   
 good   
 fair   
 poor

3. Did this Service manual provide you with the information necessary to service and maintain the specific equipment?

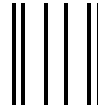
- very much so   
 generally yes   
 to some extent   
 no

4. How do you rate this particular Service Manual?

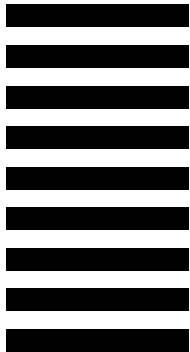
- excellent   
 very good   
 good   
 fair   
 poor

5. We would appreciate any corrections or recommendations for improving this manual. Please include the specific page number(s) of the diagram or procedure in question.

- a. Disassembly Procedures:(Page No. \_\_\_\_\_ )
- b. Alignment Procedures:(Page No. \_\_\_\_\_ )
- c. Exploded Views:(Page No. \_\_\_\_\_ )



NO POSTAGE  
NECESSARY  
IF MAILED  
IN THE  
UNITED STATES



**BUSINESS REPLY MAIL**  
FIRST CLASS MAIL PERMIT NO 9040 FT. LAUDERDALE, FL

POSTAGE WILL BE PAID BY ADDRESSEE



**MOTOROLA**

Attention: Media and Communication  
8000 W. Sunrise Boulevard  
Ft. Lauderdale, FL 33322



FOLD

FOLD

(Continued)

Please specify the page number along with any corrections or recommendations for improvement.

- d. Schematic Diagrams: (Page No. \_\_\_\_\_ )
- e. Component Location Details: (Page No. \_\_\_\_\_ )
- f. Electrical Parts List: (Page No. \_\_\_\_\_ )
- g. Exploded View Parts List: (Page No. \_\_\_\_\_ )

6. General comments/suggestions:

Name:.....

Company:.....

Customer      COSC      MSS      FTR      Other

Address: .....

City/State/Zip:.....

Phone Number (Please include Area Code): .....

PLEASE USE TAPE TO SEAL

POSTAL REGULATIONS PROHIBIT USE OF STAPLES

# REPLACEMENT PARTS ORDERING

## ORDERING INFORMATION

When ordering replacement parts or equipment information, the complete identification number should be included. This applies to all components, kits, and chassis. If the component part number is not known, the order should include the number of the chassis or kit of which it is a part, and sufficient description of the desired component to identify it.

Crystal and channel element orders should specify the crystal or channel element type number, crystal and carrier frequency, and the model number in which the part is used.

## MAIL ORDERS

### Send written orders to the following addresses:

Replacement Parts/  
Test Equipment/Manuals/  
Crystal Service Items:

Motorola Inc.  
United States and Canada  
Accessories and Aftermarket  
Division  
Attention: Order Processing  
1313 E. Algonquin Road  
Schaumburg, IL 60196

Federal Government Orders:

Motorola Inc.  
United States and Canada  
Accessories and Aftermarket  
Division  
Attention: Order Processing  
7230 Parkway Drive  
Landover, MD 21076

International Orders:

Motorola Inc.  
United States and Canada  
Accessories and Aftermarket  
Division  
Attention: International Order  
Processing  
1313 E. Algonquin Road  
Schaumburg, IL 60196

## TELEPHONE ORDERS

United States and Canada Accessories and Aftermarket Division:  
Call: 1-800-422-4210  
1-800-826-1913 (For Federal Government Orders)  
1-847-538-8023 (International Orders)

Servicers Training (VHS Video Tapes):  
Call: 847-576-2828

## FAX ORDERS

United States and Canada Accessories and Aftermarket Division:  
FAX: 847-538-8198 (Domestic)  
847-576-3023 (International)  
Parts ID: 847-538-8194

Federal Government Orders:  
FAX: 410-712-4991  
International: 410-712-6200

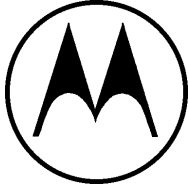
## PARTS CUSTOMER SERVICE

United States and Canada Accessories and  
Aftermarket Division:  
Call: 1-800-422-4210  
Parts Identification:  
Call: 847-538-0021

## PRODUCT CUSTOMER SERVICE

Customer Response Center  
(Sales and Service Assistance):  
Call: 1-800-247-2346  
FAX: 1-800-232-9272





**MOTOROLA**

MCS 2000 Mobile Radio Service Instructions

UHF 110W Range 1 Specific

Publication Number 68P81080C42-A



6881080C42-A